

Rubber impact buffers

tapered



Material, surface finish:

Metal parts, galvanized steel, class 5.6;
elastomer, natural rubber, medium hardness,
55° Shore A

Sample order:

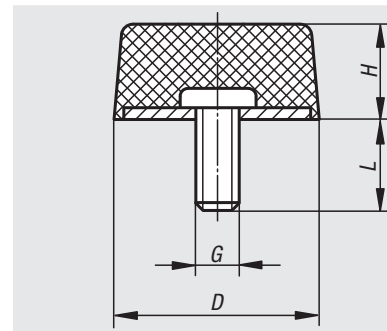
nIm 26112-02501755

Note:

Rubber impact buffers excel in their robustness and the effective cushioning and abatement of shocks. Rubber impact buffers are ideally suited for elastic travel limitation and for the cushioning of shocks in the case of mobile and immobile aggregates, machines as well as stops in general.

Temperature range:

-30 °C .to +80 °C.



Order No.	D	H	G	L	Approx. weight kg
26112-02501755	25	17	M6	18	0,015
26112-05001855	50	18	M10	28	0,075

Rubber impact buffer,

spherical



Material, surface finish:

Metal parts, galvanized steel, class 5.6;
elastomer, natural rubber, medium hardness,
55° Shore A

Sample order:

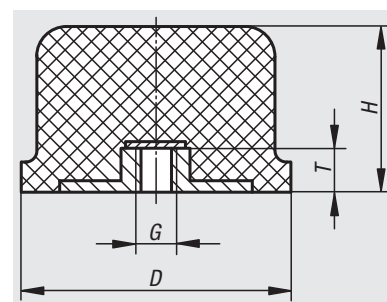
nIm 26115-05003555

Note:

Rubber impact buffers excel in their robustness and the effective cushioning and abatement of shocks. Rubber impact buffers are ideally suited for elastic travel limitation and for the cushioning of shocks in the case of mobile and immobile aggregates, machines as well as stops in general.

Temperature range:

-30 °C .to +80 °C.



Order No.	D	H	G	T	Approx. weight kg
26115-05003555	50	35	M10	8	0,088
26115-08006055	80	60	M12	10	0,308
26115-12509055	125	90	M16	14	0,830