

## O-shaped mounts

**Material, surface finish:**

Metal parts, galvanized steel, class 5.6;  
elastomer, natural rubber, medium hardness,  
57° Shore A

**Sample order:**

nIm 26130-01201257

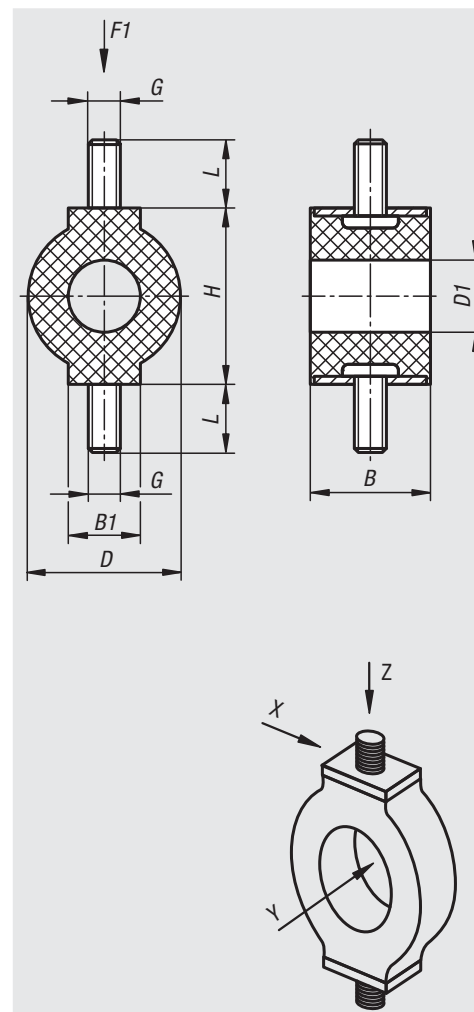
**Note:**

O-shaped mounts have a very soft spring characteristic, which is why they are also called low-frequency supports. They serve for low-vibration support of instruments, and electrical components, as well as for mounting light assemblies and precision mechanical equipment.

The spring characteristic of the O-shaped mounts increases in the order X, Y and Z. The main load direction is the longitudinal axis of the threaded bolts (Z direction).

**Temperature range:**

-30 °C .to +80 °C.



Order No.	B	B1	D	D1	G	H	L	F1 (N)	Approx. weight g
26130-01201257	9,5	9,5	12,5	6	M4	12,5	10	8	6
26130-01401757	13	6	14	6	M4	17	10	18	7
26130-02503057	20	12	25	12	M5	30	10	55	18