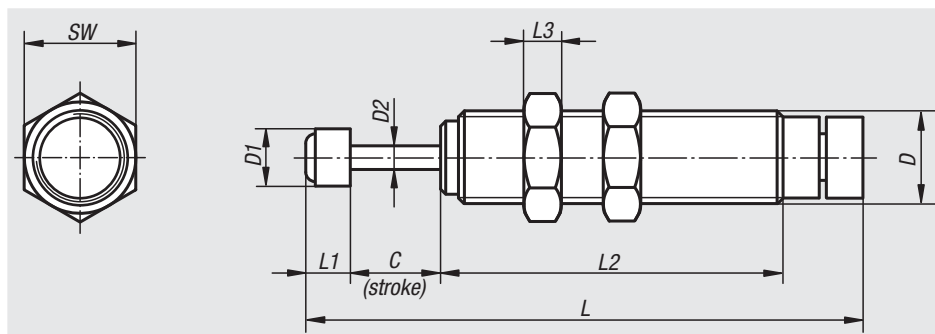


# Industrial shock absorbers

adjustable



### Material, surface finish:

Housing, steel, nickel-plated;  
housing M8x0.75, stainless steel, natural finish;  
piston rod, steel, hard-chrome plated;  
nut, steel, nickel-plated;  
collision head, steel, plastic

### Sample order:

nIm 26300-0807506

### Note:

Industrial shock absorbers are maintenance-free, ready-to-install hydraulic components. They have an integrated fixed stop. The adjustable version makes precise adjustment of the abatement possible. After installation of the shock absorber, the device is run a few times, whereby the adjustment is rotated until the optimal breaking is reached.

Exceeding the max. energy intake per hour is possible if temporarily disconnected or the shock absorber is cooled with cylinder exhaust air.

### Temperature range:

-5 °C up to +70 °C.

Order No.	D	D1	D2	C (stroke)	L	L1	L2	L3	SW
26300-0807506	M8x0,75	6	2,5	6	58	5	41	2	11
26300-0810008	M8x1	6,4	2,5	8	61,1	5,1	43,9	3	10
26300-1010008	M10x1	6	2,4	8	65	6	41	3	13
26300-1210010	M12x1	8	3,5	10	84	8	61	4	14
26300-1415010	M14x1,5	10	3,5	10	88	8	59	6	17
26300-2015016	M20x1,5	18	6	16	127	17	76	8	24
26300-2515030	M25x1,5	22	8	30	173	18	111	10	32

Order No.	max. power consumption per stroke Nm	max. power consumption per hour Nm	Defective mass max. kg	Speed range m/s	Restoring force N	Axis deviation max. (°)	Approx. weight kg
26300-0807506	1,4	2202	15	0,3 - 2	9	2,5	0,014
26300-0810008	3,5	5650	15	0,3 - 2	5,3	2	0,009
26300-1010008	1,76	3528	10	0,3 - 2	5,88	2,5	0,027
26300-1210010	4,9	5880	30	0,3 - 2	9,8	2,5	0,047
26300-1415010	5,88	8820	35	0,3 - 2	9,8	2,5	0,073
26300-2015016	29,4	20580	200	0,3 - 2	18,1	2,5	0,202
26300-2515030	49	29400	300	0,3 - 2	33,2	2,5	0,436