

## Fork joints

DIN 71751

**Material:**

Free-cutting steel

**Surface finish:**

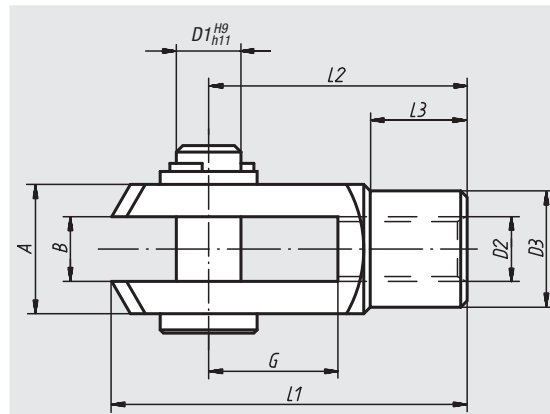
Galvanized

**Sample order:**

nlm 27624-0510

**On request:**

Left-handed thread.



Order No.	Surface finish	B	G	D1	D2	D3	L1	L2	L3	A	Approx. weight g
27624-0510	right-handed thread	5	10	5	M5	9	26	20	7,5	10	10,0
27624-0612	right-handed thread	6	12	6	M6	10	31	24	9	12	16,0
27624-0816	right-handed thread	8	16	8	M8	14	42	32	12	16	38,0
27624-0832	right-handed thread	8	32	8	M8	14	58	48	12	16	55,0
27624-1020	right-handed thread	10	20	10	M10	18	52	40	15	20	80,0
27624-10120	right-handed thread	10	20	10	M10x1,25	18	52	40	15	20	80,0
27624-1040	right-handed thread	10	40	10	M10	18	72	60	15	20	120,0
27624-10140	right-handed thread	10	40	10	M10x1,25	18	72	60	15	20	120,0
27624-1224	right-handed thread	12	24	12	M12	20	62	48	18	24	125,0
27624-12124	right-handed thread	12	24	12	M12x1,25	20	62	48	18	24	125,0
27624-1248	right-handed thread	12	48	12	M12	20	86	72	18	24	180,0
27624-12148	right-handed thread	12	48	12	M12x1,25	20	86	72	18	24	180,0
27624-1428	right-handed thread	14	28	14	M14	24	72	56	22,5	27	190,0
27624-1632	right-handed thread	16	32	16	M16	26	83	64	24	32	300,0
27624-16132	right-handed thread	16	32	16	M16x1,5	26	83	64	24	32	300,0