

Rod ends with ball bearing

external thread



Material:

Casing: drop-forged steel, tempered.

Surface finish:

Galvanized.

Internal Clearance 15 - 40 µm.

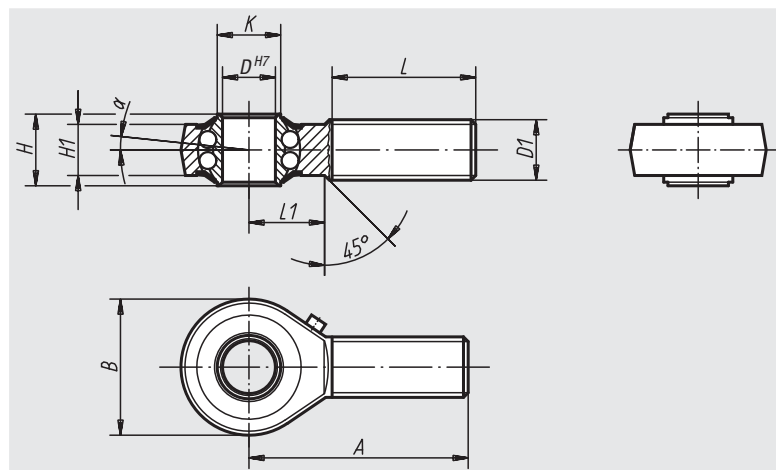
Sample order:

nIm 27625-12

Note:

The hardened ball bearing is long-term greased and sealed with cover washers. The connection dimensions comply with DIN 648 Form Series KA.

Rod ends are primarily used where movement processes are transmitted and there is no exact alignment.



Order No. right-handed thread	Order No. left-handed thread	D	D1	A	B	H	H1	K	L	L1	α	Dynamic base loads N	Static base loads N	Rev. limit n max. 1/min	Approx. weight kg
27625-06	27625-061	6	M6	36	20	9	6,75	9	22	12	8°	2750	650	1350	0,019
27625-08	27625-081	8	M8	42	24	12	9	10,5	25	15	8,5°	4000	1000	1300	0,036
27625-10	27625-101	10	M10	48	28	14	10,5	12	29	15	8°	4450	1450	1225	0,060
27625-12	27625-121	12	M12	54	32	16	12	14,5	33	19	7,5°	4950	1800	1125	0,087
27625-16	27625-161	16	M16	66	42	21	15	19	40	22	8°	6250	2350	975	0,190
27625-20	27625-201	20	M20x1,5	78	50	25	18	24,5	47	28	7°	7900	3450	825	0,338
27625-22	27625-221	22	M22x1,5	84	54	28	20	26	51	26	8°	9300	3980	725	0,450