

# Rod ends with slide bearing

external thread, stainless steel



### Material:

Casing: forged special steel 1.4057. Ball joint 1.4034 hardened and ground. Bearing shell: stainless steel 1.4571.

### Surface finish:

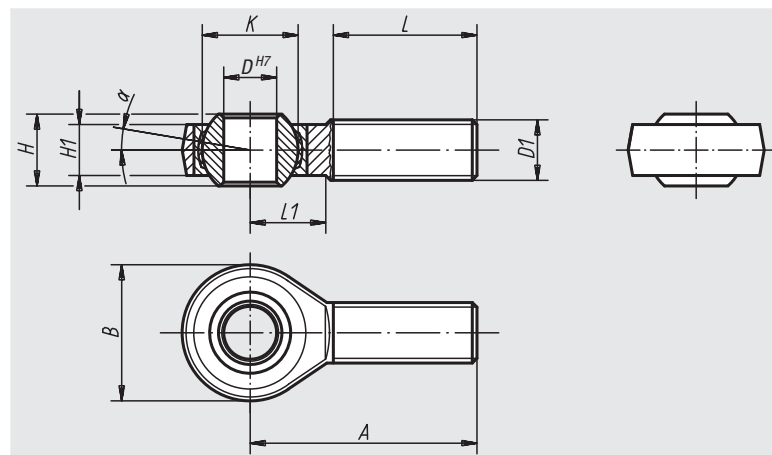
polished

### Sample order:

nIm 27629-20

### Note:

The slide bearing of the rod ends is maintenance-free.  
The connection dimensions comply with DIN 648 Form Series KA.



Order No. right-handed thread	Order No. left-handed thread	D	D1	A	B	H	H1	K	L	L1	$\alpha$	Dynamic base loads kN	Static base loads kN	Approx. weight kg
27629-05	27629-051	5	M5	33	18	8	6	11,11	20	9	13°	7,5	6,2	0,013
27629-06	27629-061	6	M6	36	20	9	6,75	12,7	22	12	13°	9,3	8,8	0,020
27629-08	27629-081	8	M8	42	24	12	9	15,87	25	15	13°	16,7	16,1	0,033
27629-10	27629-101	10	M10	48	28	14	10,5	19,05	29	15	13°	23,4	25,5	0,056
27629-12	27629-121	12	M12	54	32	16	12	22,22	33	19	13°	32	34,5	0,087
27629-16	27629-161	16	M16	66	42	21	15	28,57	40	22	15°	52,7	60,6	0,189
27629-20	27629-201	20	M20x1,5	78	50	25	18	34,92	47	28	15°	78,1	83,1	0,348
27629-22	27629-221	22	M22x1,5	84	54	28	20	38,1	51	26	15°	97,2	99,7	0,443