

## Rod ends with slide bearing

external thread, narrow head



### Material:

Casing size (D) 6-10: free-cutting steel, turned. Casing as of size (D) 12: tempered steel, forged. Ball joint: roller bearing steel, hardened, ground, polished and hard-chromium-plated. Bearing shell: roller bearing steel with PTFE cloth glued in

### Surface finish:

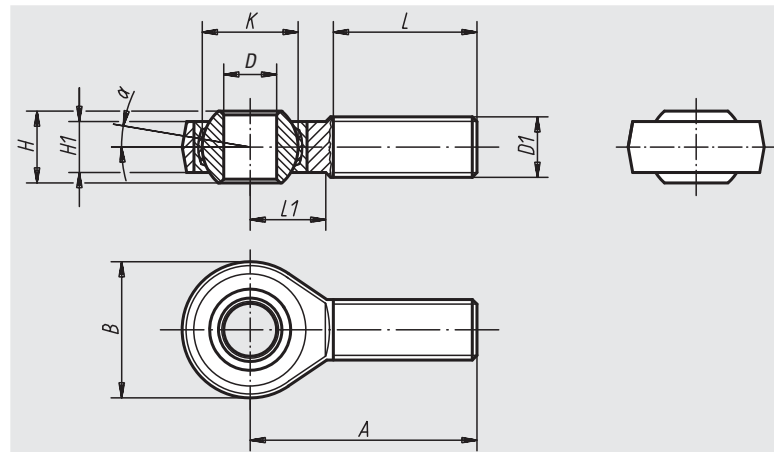
galvanized

### Sample order:

nIm 27631-20

### Note:

The slide bearing of the rod ends is maintenance-free.  
The connection dimensions comply with DIN 648 Form Series E.



Order No. right-handed thread	Order No. left-handed thread	D	D1	A	B	H	H1	K	L	L1	$\alpha$	Dynamic base loads kN	Static base loads kN	Approx. weight kg
27631-06	27631-061	6 -0,008	M6	36	20	6	4,4	10	18	11	12°	3,6	8,2	0,016
27631-08	27631-081	8 -0,008	M8	42	24	8	6	13	22	12	12°	5,8	12,9	0,028
27631-10	27631-101	10 -0,008	M10	48	28	9	7	16	26	15	12°	8,6	17,6	0,050
27631-12	27631-121	12 -0,008	M12	54	34	10	8	18	28	15	8°	11,4	24,5	0,086
27631-16	27631-161	17 -0,008	M16	69	46	14	11	25	36	23	8°	22	45	0,190
27631-20	27631-201	20 -0,010	M20x1,5	78	53	16	13	29	43	25	8°	31,5	60	0,320