

# Rod ends with slide bearing

internal thread, narrow head



### Material:

Casing size (D) 6-10: free-cutting steel, turned. Casing as of size (D) 12: tempered steel, forged. Ball joint: roller bearing steel, hardened, ground, polished and hard-chromium-plated. Bearing shell: roller bearing steel with PTFE cloth glued in

### Surface finish:

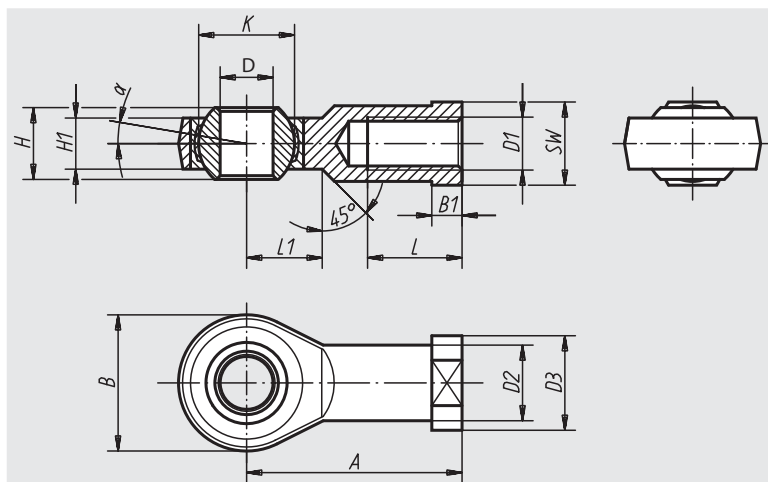
galvanized

### Sample order:

nIm 27632-12

### Note:

The slide bearing of the rod ends is maintenance-free.  
The connection dimensions comply with DIN 648 Form Series E.



Order No. right-handed thread	Order No. left-handed thread	D	D1	D2	D3	A	B	B1	H	H1	K	L	L1	SW	$\alpha$	Dynamic base loads kN	Static base loads kN	Approx. weight kg
27632-06	27632-061	6 -0,008	M6	10	13	30	20	5	6	4,4	10	12	11	11	12°	3,6	8,2	0,021
27632-08	27632-081	8 -0,008	M8	12,5	16	36	24	5	8	6	13	16	12	14	12°	5,8	12,9	0,038
27632-10	27632-101	10 -0,008	M10	15	19	43	28	6,5	9	7	16	20	13	17	12°	8,6	17,6	0,060
27632-10125	27632-101251	10 -0,008	M10x1,25	15	19	43	28	6,5	9	7	16	20	13	17	12°	8,6	17,6	0,060
27632-12	27632-121	12 -0,008	M12	17,5	22	50	34	6,5	10	8	18	22	15	19	8°	11,4	24,5	0,096
27632-12125	27632-121251	12 -0,008	M12x1,25	17,5	22	50	34	6,5	10	8	18	22	15	19	8°	11,4	24,5	0,096
27632-16	27632-161	17 -0,008	M16	24	30	67	46	10	14	11	25	33	20	27	8°	22	45	0,280
27632-20	27632-201	20 -0,010	M20x1,5	27,5	35	77	53	10	16	13	29	38	23	32	8°	31,5	60	0,350