

Ball seats for angle joints

DIN 71805



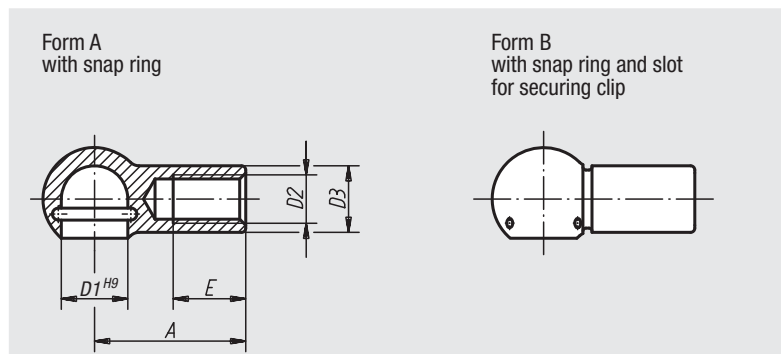
Material:
Steel

Surface finish:
galvanized and chromated

Sample order:
nlm 27655-08051

Note:

The ball sockets are spare parts for DIN 71802 ball joints.
See circlips for ball seats for suitable retaining rings for Form B. Stainless steel ball joints available on request.



Order No.	Form	D1	D2	D3	A	E
27655-0805	A	8	M5	8	22	10,2
27655-1006	A	10	M6	10	25	11,5
27655-1308	A	13	M8	13	30	14
27655-1610	A	16	M10	16	35	15,5
27655-1612	A	16	M12	16	35	15,5
27655-1914	A	19	M14x1,5	22	45	21,5
27655-1916	A	19	M16	22	45	21,5

Order No.	Form	D1	D2	D3	A	E
27655-080351	B	8	M3,5	8	18	8
27655-08051	B	8	M5	8	22	10,2
27655-10061	B	10	M6	10	25	11,5
27655-13081	B	13	M8	13	30	14
27655-16101	B	16	M10	16	35	15,5
27655-16121	B	16	M12	16	35	15,5
27655-19141	B	19	M14x1,5	22	45	21,5
27655-19161	B	19	M16	22	45	21,5