

Level-compensating components with locking nut

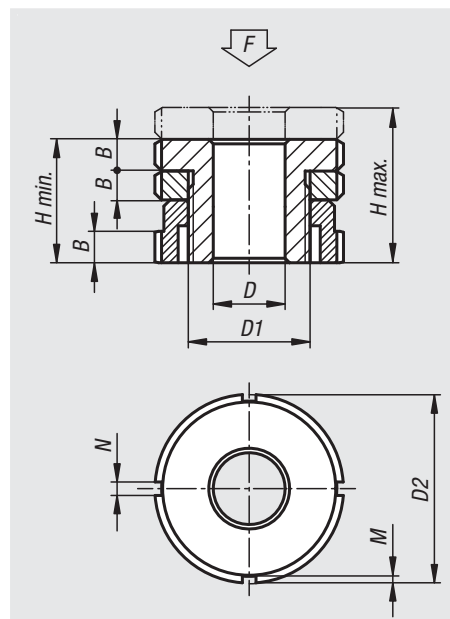


Material:
Steel 1.7225,
stainless steel 1.4305.

Surface finish:
Steel zinc plated, blue chromated.
Stainless steel surface finish.

Sample order:
nIm 27703-0404

Note:
The level-compensating bolts are used when dealing with the positioning and alignment of motors, motor units, drive components and production lines. The advantage of a level-compensating bolt is its low height. Alignments can be quickly and easily made, even if several ball-bearing positions are involved, using the level-compensating bolt. This guarantees assembly with no risk of deviation. The counter-nut acts to secure the given adjustment.



Order No.	Material	D	for screw	D1	D2	H min.	H max.	B	N	M	F kN	Approx. weight kg
27703-0404	steel	4,5	M4	M15x1	25	20	24	5	4	2	40	0,046
27703-0405	steel	5,5	M5	M15x1	25	20	24	5	4	2	40	0,046
27703-0406	steel	6,6	M6	M15x1	25	20	24	5	4	2	40	0,046
27703-0506	steel	6,6	M6	M20x1	32	24	29	6	4	2	65	0,087
27703-0508	steel	9	M8	M20x1	32	24	29	6	4	2	65	0,087
27703-0510	steel	11	M10	M20x1	32	24	29	6	4	2	65	0,087
27703-0710	steel	11	M10	M30x1,5	45	29	36	7	5	2	120	0,24
27703-0712	steel	13,5	M12	M30x1,5	45	29	36	7	5	2	120	0,24
27703-0716	steel	17,5	M16	M30x1,5	45	29	36	7	5	2	120	0,24
27703-0916	steel	17,5	M16	M40x1,5	58	37	46	9	6	2,5	210	0,49
27703-0920	steel	22	M20	M40x1,5	58	37	46	9	6	2,5	210	0,49
27703-0924	steel	26	M24	M40x1,5	58	37	46	9	6	2,5	210	0,49
27703-1020	steel	22	M20	M50x1,5	70	44	54	11	6	2,5	330	0,82
27703-1024	steel	26	M24	M50x1,5	70	44	54	11	6	2,5	330	0,82
27703-1030	steel	33	M30	M50x1,5	70	44	54	11	6	2,5	330	0,82
27703-04041	stainless steel	4,5	M4	M15x1	25	20	24	5	4	2	27,1	0,046
27703-04051	stainless steel	5,5	M5	M15x1	25	20	24	5	4	2	27,1	0,046
27703-04061	stainless steel	6,6	M6	M15x1	25	20	24	5	4	2	27,1	0,046
27703-05061	stainless steel	6,6	M6	M20x1	32	24	29	6	4	2	43,4	0,087
27703-05081	stainless steel	9	M8	M20x1	32	24	29	6	4	2	43,4	0,087
27703-05101	stainless steel	11	M10	M20x1	32	24	29	6	4	2	43,4	0,087
27703-07101	stainless steel	11	M10	M30x1,5	45	29	36	7	5	2	84	0,24
27703-07121	stainless steel	13,5	M12	M30x1,5	45	29	36	7	5	2	84	0,24
27703-07161	stainless steel	17,5	M16	M30x1,5	45	29	36	7	5	2	84	0,24
27703-09161	stainless steel	17,5	M16	M40x1,5	58	37	46	9	6	2,5	148	0,49
27703-09201	stainless steel	22	M20	M40x1,5	58	37	46	9	6	2,5	148	0,49
27703-09241	stainless steel	26	M24	M40x1,5	58	37	46	9	6	2,5	148	0,49
27703-10201	stainless steel	22	M20	M50x1,5	70	44	54	11	6	2,5	225	0,82
27703-10241	stainless steel	26	M24	M50x1,5	70	44	54	11	6	2,5	225	0,82
27703-10301	stainless steel	33	M30	M50x1,5	70	44	54	11	6	2,5	225	0,82

