

Spherical level-compensating bolts

with locking nut



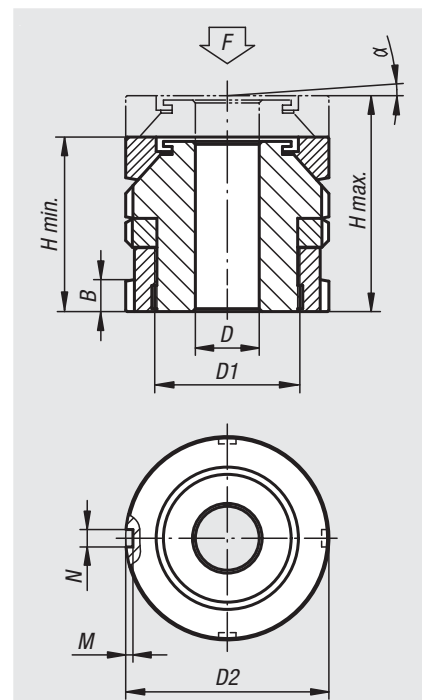
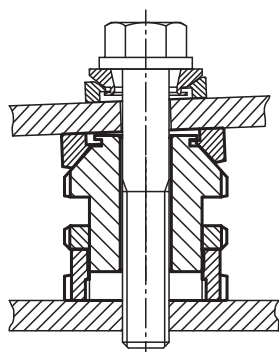
Material:
Steel 1.7225,
stainless steel 1.4305.

Surface finish:
Steel zinc plated, blue chromated.
Stainless steel surface finish.

Sample order:
nlm 27706-0406

Note:
The spherical level-compensating bolt is used when dealing with the positioning and alignment of motors, motor units, drive elements and production lines. Exact positioning in the assembly of sloped baseplates up to a 4° angle of inclination can be achieved with the spherical level-compensating bolt. The counter-nut acts to secure the given adjustment.

Accessory:
Ball head precision adjusters 07460



Order No.	Material	D	for screw	D1	D2	H min.	H max.	B	N	M	α	F kN	Approx. weight kg
27706-0406	steel	6,6	M6	M15x1	25	27	31	5	4	2	4°	40	0,09
27706-0506	steel	6,6	M6	M20x1	32	32	37	6	4	2	4°	65	0,14
27706-0508	steel	9	M8	M20x1	32	32	37	6	4	2	4°	65	0,14
27706-0510	steel	11	M10	M20x1	32	32	37	6	4	2	4°	65	0,14
27706-0710	steel	11	M10	M30x1,5	45	41	48	7	5	2	4°	120	0,36
27706-0712	steel	13,5	M12	M30x1,5	45	41	48	7	5	2	4°	120	0,36
27706-0716	steel	17,5	M16	M30x1,5	45	41	48	7	5	2	4°	120	0,36
27706-0916	steel	17,5	M16	M40x1,5	58	53	62	9	6	2,5	4°	210	0,78
27706-0920	steel	22	M20	M40x1,5	58	53	62	9	6	2,5	4°	210	0,78
27706-0924	steel	26	M24	M40x1,5	58	53	62	9	6	2,5	4°	210	0,78
27706-1020	steel	22	M20	M50x1,5	70	61	71	11	6	2,5	4°	330	1,3
27706-1024	steel	26	M24	M50x1,5	70	61	71	11	6	2,5	4°	330	1,3
27706-1030	steel	33	M30	M50x1,5	70	61	71	11	6	2,5	4°	330	1,3
27706-1224	steel	26	M24	M60x2	80	67	79	11	7	3	4°	495	1,65
27706-1230	steel	33	M30	M60x2	80	67	79	11	7	3	4°	495	1,65
27706-04061	stainless steel	6,6	M6	M15x1	25	27	31	5	4	2	4°	27,1	0,09
27706-05061	stainless steel	6,6	M6	M20x1	32	32	37	6	4	2	4°	43,4	0,14
27706-05081	stainless steel	9	M8	M20x1	32	32	37	6	4	2	4°	43,4	0,14
27706-05101	stainless steel	11	M10	M20x1	32	32	37	6	4	2	4°	43,4	0,14
27706-07101	stainless steel	11	M10	M30x1,5	45	41	48	7	5	2	4°	84	0,36
27706-07121	stainless steel	13,5	M12	M30x1,5	45	41	48	7	5	2	4°	84	0,36
27706-07161	stainless steel	17,5	M16	M30x1,5	45	41	48	7	5	2	4°	84	0,36
27706-09161	stainless steel	17,5	M16	M40x1,5	58	53	62	9	6	2,5	4°	148	0,78
27706-09201	stainless steel	22	M20	M40x1,5	58	53	62	9	6	2,5	4°	148	0,78
27706-09241	stainless steel	26	M24	M40x1,5	58	53	62	9	6	2,5	4°	148	0,78
27706-10201	stainless steel	22	M20	M50x1,5	70	61	71	11	6	2,5	4°	225	1,3
27706-10241	stainless steel	26	M24	M50x1,5	70	61	71	11	6	2,5	4°	225	1,3
27706-10301	stainless steel	33	M30	M50x1,5	70	61	71	11	6	2,5	4°	225	1,3
27706-12241	stainless steel	26	M24	M60x2	80	67	79	11	7	3	4°	323	1,65
27706-12301	stainless steel	33	M30	M60x2	80	67	79	11	7	3	4°	323	1,65