

Spherical precision levellers

with locking nut



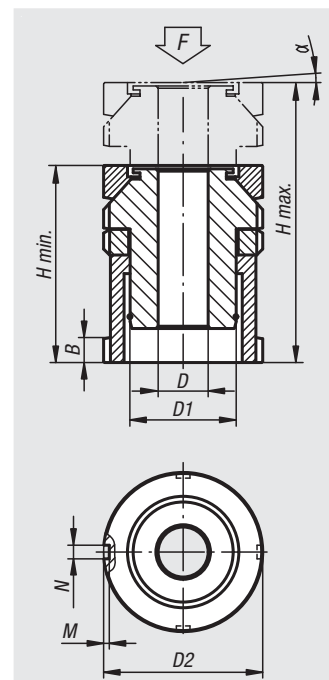
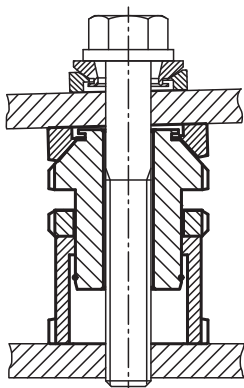
Material:
Steel 1.7225,
stainless steel 1.4305.

Surface finish:
Steel zinc plated, blue chromated.
Stainless steel surface finish.

Sample order:
nlm 27708-1006

Note:
The spherical precision leveller is used when dealing with the positioning and alignment of motors, motor units, drive elements and production lines. Exact positioning in the assembly of sloped baseplates up to a 4° angle of inclination can be achieved with the spherical level-compensating bolt. The counter-nut acts to secure the given adjustment. They are characterised by their large travel of 10 mm to 39 mm.

Accessory:
Ball head precision adjusters 07460



Order No.	Material	D	for screw	D1	D2	H min.	H max.	B	N	M	α	F kN	Approx. weight kg
27708-1006	steel	6,6	M6	M15x1	25	40	50	5	4	2	4°	40	0,095
27708-1406	steel	6,6	M6	M20x1	32	49	63	6	4	2	4°	65	0,147
27708-1408	steel	9	M8	M20x1	32	49	63	6	4	2	4°	65	0,147
27708-1410	steel	11	M10	M20x1	32	49	63	6	4	2	4°	65	0,147
27708-1810	steel	11	M10	M30x1,5	45	61	79	7	5	2	4°	120	0,399
27708-1812	steel	13,5	M12	M30x1,5	45	61	79	7	5	2	4°	120	0,399
27708-1816	steel	17,5	M16	M30x1,5	45	61	79	7	5	2	4°	120	0,399
27708-2316	steel	17,5	M16	M40x1,5	58	79	102	9	6	2,5	4°	210	0,84
27708-2320	steel	22	M20	M40x1,5	58	79	102	9	6	2,5	4°	210	0,84
27708-2324	steel	26	M24	M40x1,5	58	79	102	9	6	2,5	4°	210	0,84
27708-2920	steel	22	M20	M50x1,5	70	94	123	11	6	2,5	4°	330	1,418
27708-2924	steel	26	M24	M50x1,5	70	94	123	11	6	2,5	4°	330	1,418
27708-2930	steel	33	M30	M50x1,5	70	94	123	11	6	2,5	4°	330	1,418
27708-3924	steel	26	M24	M60x2	80	105	144	11	7	3	4°	495	1,911
27708-3930	steel	33	M30	M60x2	80	105	144	11	7	3	4°	495	1,911
27708-10061	stainless steel	6,6	M6	M15x1	25	40	50	5	4	2	4°	27,1	0,095
27708-14061	stainless steel	6,6	M6	M20x1	32	49	63	6	4	2	4°	43,4	0,147
27708-14081	stainless steel	9	M8	M20x1	32	49	63	6	4	2	4°	43,4	0,147
27708-14101	stainless steel	11	M10	M20x1	32	49	63	6	4	2	4°	43,4	0,147
27708-18101	stainless steel	11	M10	M30x1,5	45	61	79	7	5	2	4°	84	0,399
27708-18121	stainless steel	13,5	M12	M30x1,5	45	61	79	7	5	2	4°	84	0,399
27708-18161	stainless steel	17,5	M16	M30x1,5	45	61	79	7	5	2	4°	84	0,399
27708-23161	stainless steel	17,5	M16	M40x1,5	58	79	102	9	6	2,5	4°	148	0,84
27708-23201	stainless steel	22	M20	M40x1,5	58	79	102	9	6	2,5	4°	148	0,84
27708-23241	stainless steel	26	M24	M40x1,5	58	79	102	9	6	2,5	4°	148	0,84
27708-29201	stainless steel	22	M20	M50x1,5	70	94	123	11	6	2,5	4°	225	1,418
27708-29241	stainless steel	26	M24	M50x1,5	70	94	123	11	6	2,5	4°	225	1,418
27708-29301	stainless steel	33	M30	M50x1,5	70	94	123	11	6	2,5	4°	225	1,418
27708-39241	stainless steel	26	M24	M60x2	80	105	144	11	7	3	4°	323	1,911
27708-39301	stainless steel	33	M30	M60x2	80	105	144	11	7	3	4°	323	1,911