

# Cap elements

type H2



### Material, surface finish:

Metal parts galvanized steel, strength 5.6.  
Elastomer, natural rubber, hardness 40° or 60° Shore A.

### Sample order:

nIm 27750-03502040

### Note:

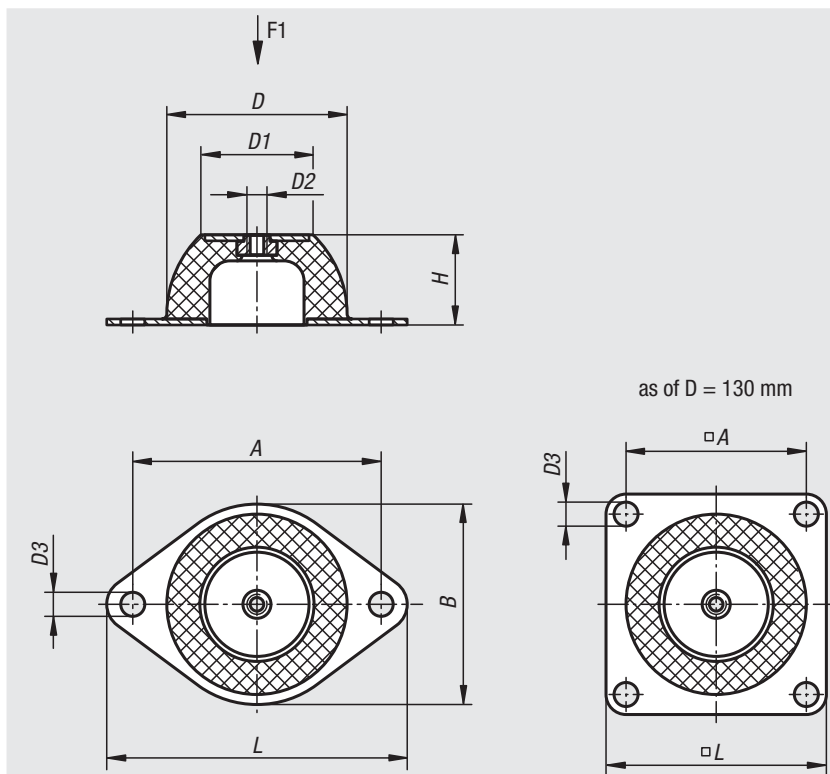
The cap elements are highly elastic both in radial and in axial direction and therefore offer an outstanding impact isolation.

The special shaping of the cap elements allows isolation of sound and vibrations of machines and assemblies with a low natural frequency. They are especially suitable for supporting sensitive instruments and small devices.

The elements must not be subjected to tensile stress.

Temperature resistant

-30°C up to +80°C.



Order No.	Surface finish	A	B	D	D1	D2	D3	H	L	F1 (N)	Approx. weight kg
27750-03502040	Hardness 40° Shore A	50	43	35	18	M6	7	20	64	34	0,030
27750-05002540	Hardness 40° Shore A	66	56	50	33	M8	8	25	85	200	0,067
27750-07003540	Hardness 40° Shore A	92	76	70	45	M10	10	35	114	390	0,148
27750-08504040	Hardness 40° Shore A	110	96	85	53	M10	11,5	40	136	680	0,250
27750-09004540	Hardness 40° Shore A	124	101	90	58	M10	11,5	45	151	1280	0,390
27750-13006340	Hardness 40° Shore A	120	-	130	78	M12	14,5	63	150	2700	1,020
27750-18008540	Hardness 40° Shore A	160	-	180	100	M16	14,5	85	200	3700	2,200
27750-03502060	Hardness 60° Shore A	50	43	35	18	M6	7	20	64	90	0,030
27750-05002560	Hardness 60° Shore A	66	56	50	33	M8	8	25	85	490	0,067
27750-07003560	Hardness 60° Shore A	92	76	70	45	M10	10	35	114	780	0,148
27750-08504060	Hardness 60° Shore A	110	96	85	53	M10	11,5	40	136	1450	0,264
27750-09004560	Hardness 60° Shore A	124	101	90	58	M10	11,5	45	151	2150	0,416
27750-13006360	Hardness 60° Shore A	120	-	130	78	M12	14,5	63	150	4900	1,085
27750-18008560	Hardness 60° Shore A	160	-	180	100	M16	14,5	85	200	7350	2,300