

Machine feet



Material, surface finish:

Metal parts, galvanized steel, strength 5.6.

Elastomer, natural rubber, average hardness, 60° Shore.

Sample order:

nIm 27760-062060

Note:

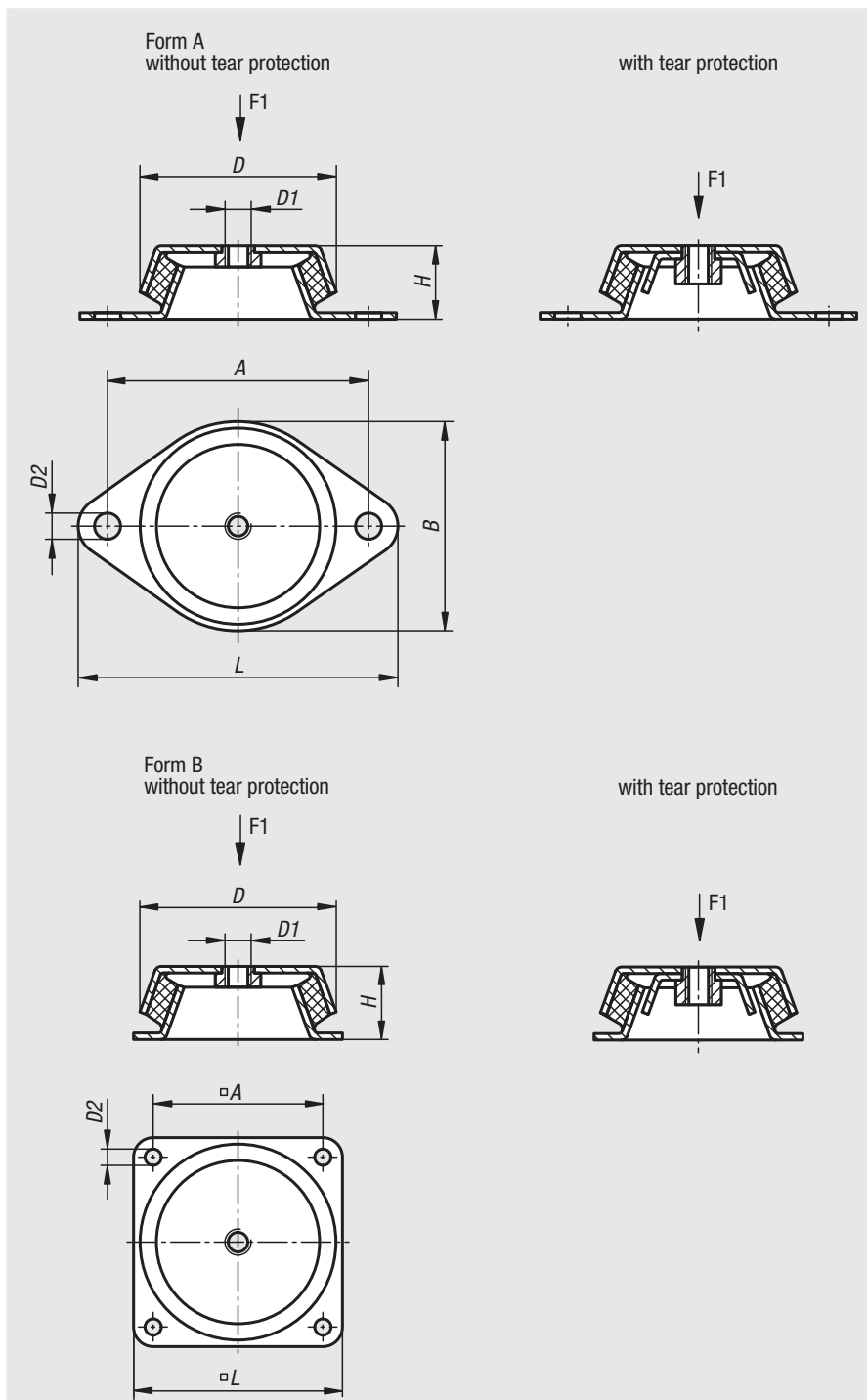
Machine feet are proven, universally usable elements for elastically supporting machines of every type. Wherever large horizontal movements are to be avoided, machine feet are commonly used. Their horizontal rigidity is higher in all directions than their vertical rigidity. If properly used, they provide excellent prevention against the conduction of shocks and noise.

Especially for situations in which tensile forces are to be expected (e.g., in shipbuilding), machine feet with tear protection are recommended.

The indicated load data are standard values for a static long-term load with a rubber hardness of 60° Shore A.

On request:

Machine feet with a rubber hardness of 40° or 70° Shore A.



Order No. without tear protection	Order No. with tear protection	Form	A	B	D	D1	D2	H	L	F1 (N)
27760-062060	27760-062160	A	85	66	62	M10	8,2	30	110	1500
27760-078060	27760-078160	A	110	78	78	M10	9	30	128	1800
27760-092060	27760-092160	A	110	96	86	M12	10,2	45	140	3000
27760-106060	27760-106160	A	140	110	106	M12	12,4	39	170	3600
27760-150060	27760-150160	B	132	-	150	M16	12,5	51	168	8000