

Extended plates for swivel pads

in die cast zinc



Material:

Plate in die cast zinc.
Anti-slip-plate in thermoplastic elastomer.

Surface finish:

Plate black powder-coated.

Sample order:

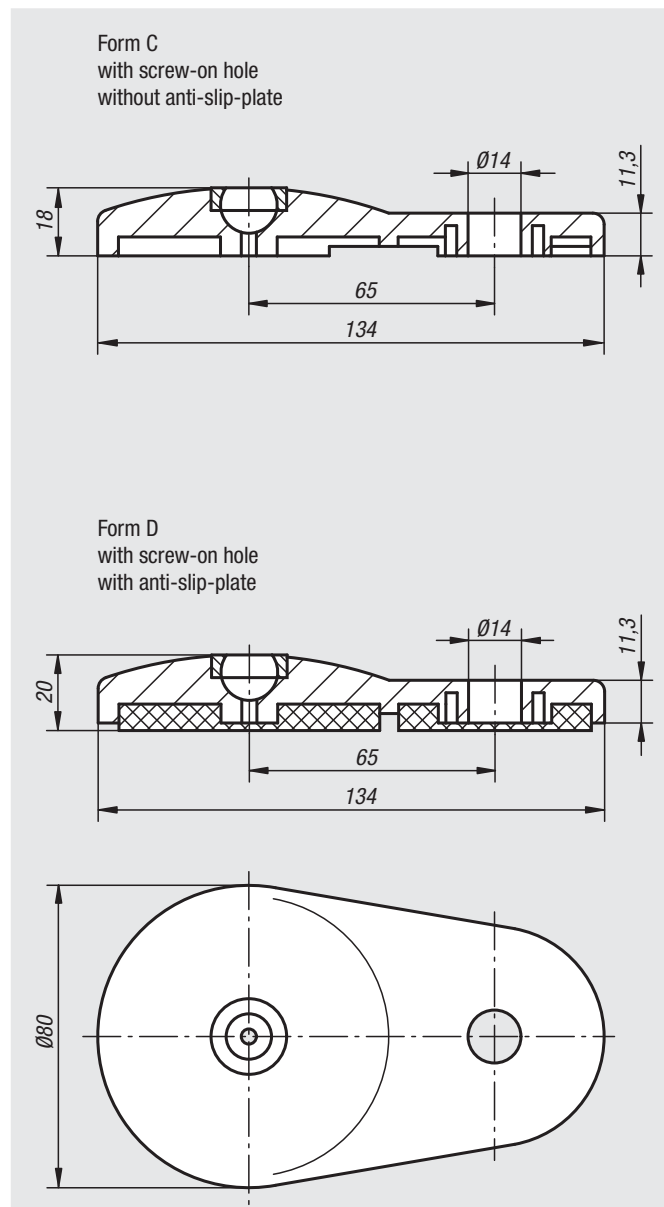
nIm 27802-30801
27802-30801 and 27810-060151 **assembled**

Note for ordering:

If the swivel pad plate and the threaded spindle resp. the ball joint are to be supplied assembled, please add the suffix „assembled“ to the order number for the plate and the spindle resp. the ball joint. (e.g. 27802-30801 and 27810-060151 assembled.)

Note:

Swivel pads consist of a plate and a threaded spindle resp. a ball joint. Any plate can be combined with any threaded spindle resp. any ball joint. The anti-slip-plate absorbs vibrations and prevents slipping of the swivel pad. For matching threaded spindles see 27810. For matching ball joints see 27811.



Order No.	Form	Load capacity max. kN	Approx. weight kg
27802-30801	C	30	0,399
27802-40801	D	30	0,434