

Swivel feet

with vibration absorption



Material:

- Steel version:
pressure foot in tempered steel.
Ball element in case-hardened free-cutting steel.
- Stainless steel version:
pressure foot and ball element in stainless steel.

Damper plate PUR elastomere (Sylomer V12).

Surface finish:

- Steel version:
pressure foot black oxide finish.
Ball element in case-hardened, black oxide finish.
- Stainless steel version:
natural finish.

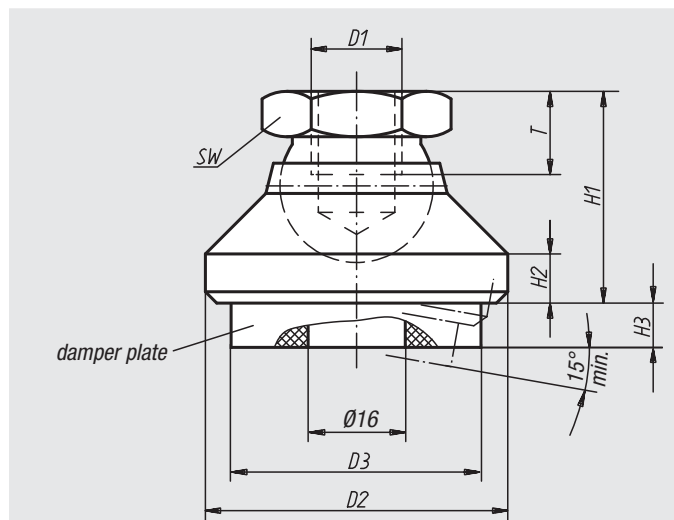
Damper plate PUR elastomere, grey, fixed, cannot slip.
Range of use from -30 °C to +70 °C.

Sample order:

nln 27806-110

Note:

The manageable load given in the table is a recommendation of the permanent static load up to which the absorption unit should be used. This static load corresponds to a pressure per area of 0.4 N/mm², at which the material reaches its optimum absorption properties. Here it is taken into account that under dynamic demands an additional load, up to 0.6 N/mm² may occur. The damper plate absorbs vibrations and prevents slipping of the swivel foot. Swivel foot (without vibration absorption) see 07144.



Order No.	Material	D1	D2	D3	H1	H2	H3 (under pressure of 0 / 0,4 / 0,6 N/mm ²)	T	SW	Load capacity (under pressure of 0,4 N/mm ²) N
27806-110	steel	M10	32	30,5	22	5	8 / 6,8 / 5,9	10	17	212
27806-112	steel	M12	40	30,5	26	6	8 / 6,8 / 5,9	12	19	212
27806-116	steel	M16	50	40,5	32	7	8 / 6,8 / 5,9	14	24	435
27806-120	steel	M20	60	50	42	8	8 / 6,8 / 5,9	18	30	705
27806-310	stainless steel	M10	32	30,5	22	5	8 / 6,8 / 5,9	10	17	212
27806-312	stainless steel	M12	40	30,5	26	6	8 / 6,8 / 5,9	12	19	212
27806-316	stainless steel	M16	50	40,5	32	7	8 / 6,8 / 5,9	14	24	435
27806-320	stainless steel	M20	60	50	42	8	8 / 6,8 / 5,9	18	30	705