

Locating feet

with vibration absorption



Material:

Plate steel.

Damper plate PUR elastomer (Sylomer V12).

Surface finish:

Plate blue chromated.

Damper plate gray, fixed, cannot slip.

Range of use from -30 °C to +70 °C.

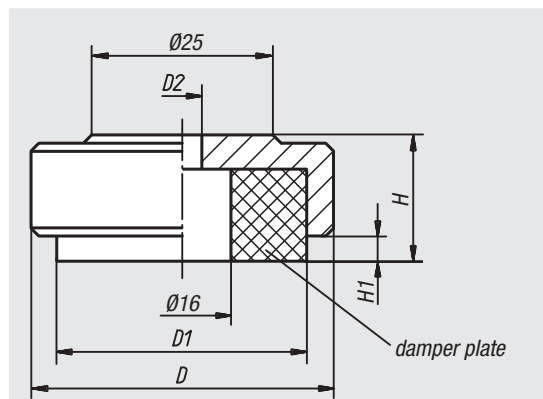
Sample order:

nIm 27808-046

Note:

The manageable load given in the table is a recommendation of the **permanent static** load up to which the absorption unit should be used. This static load corresponds to a pressure per area of 0.4 N/mm², at which the material reaches its optimum absorption properties.

Here it is taken into account that under dynamic demands an additional load, up to 0.6 N/mm² may occur. The damper plate absorbs vibrations and prevents slipping of the locating foot.



Order No.	D	D1	D2	H	H1 (under pressure of 0 / 0,4 / 0,6 N/mm ²)	Load capacity N (under pressure of 0,4 N/mm ²)
27808-036	36	30,5	5,5	15	4 / 2,8 / 1,9	212
27808-046	46	40,5	6,6	17	4 / 2,8 / 1,9	435
27808-056	56	50	9	19	4 / 2,8 / 1,9	705
27808-074	74	68	9	21	4 / 2,8 / 1,9	1372