

Plates for swivel feet

in plastic



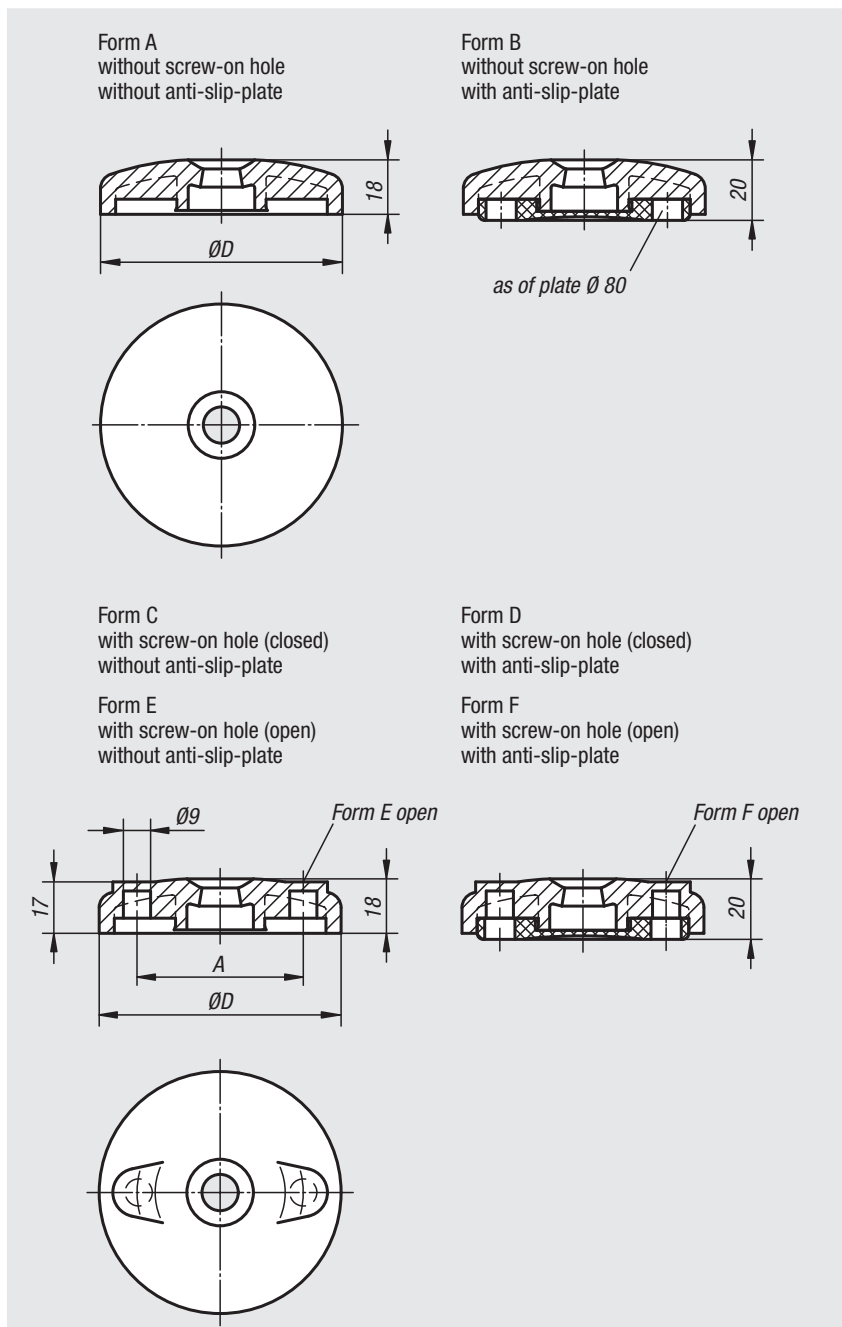
Material:
Plates, thermoplastic, glass-fibre reinforced.
Anti-slip-plate in thermoplastic elastomer.

Surface finish:
Black.

Sample order:
nlm 27815-1060
27815-1060 and 27828-120661 **assembled**

Note for ordering:
If the swivel foot plate and the threaded spindle are to be supplied assembled, please add the suffix „assembled“ to the order number for the plate and spindle. (e.g. 27815-1060 and 27828-120661 assembled.)

Note:
Swivel feet consist of a plate and a threaded spindle. Any plate can be combined with any threaded spindle. The anti-slip-plate absorbs vibrations and prevents slipping of the swivel foot. For matching threaded spindles see 27828.



Order No. Form A	Order No. Form B	D	Load capacity max. kN
27815-1060	27815-2060	60	12
27815-1080	27815-2080	80	12
27815-1100	27815-2100	100	12

Order No. Form C	Order No. Form D	Order No. Form E	Order No. Form F	D	A	Load capacity max. kN
27815-3080	27815-4080	27815-5080	27815-6080	80	55	12
27815-3100	27815-4100	27815-5100	27815-6100	100	74	12