

Plates for swivel feet, ECO-Line

in die cast zinc, stainless steel or plastic



Material:

Plate in thermoplastic, die cast zinc or stainless steel 1.4305.

Anti-slip-plate in thermoplastic elastomer.

Surface finish:

Plate in black thermoplastic.

Plate in blue galvanized die cast zinc.

Plate in stainless steel natural finish.

Sample order:

nIm 27830-10303

27830-10303 and 27832-080801 **assembled**

Note for ordering:

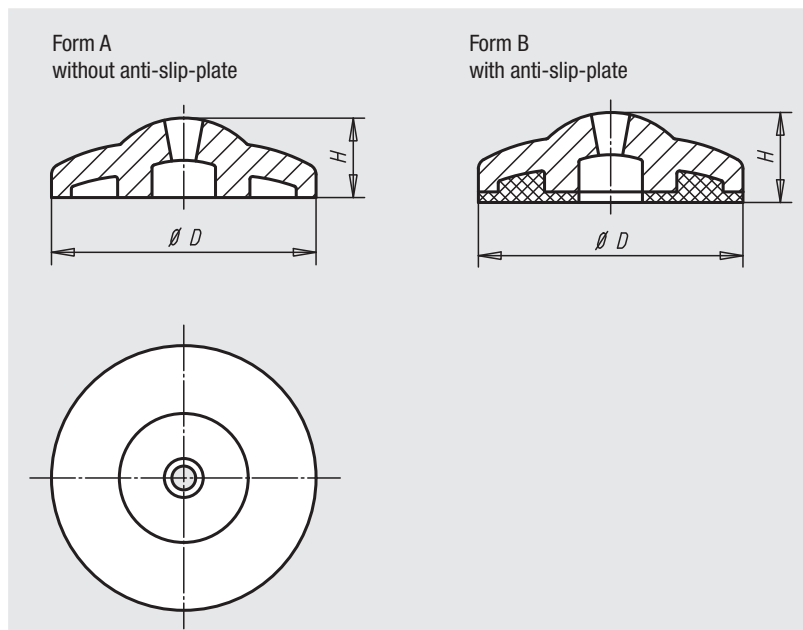
If the swivel foot plate and the threaded spindle are to be supplied assembled, please add the suffix „assembled“ to the order number for the plate and spindle. (e.g. 27830-10303 and 27832-080801 assembled.)

Note:

Swivel feet ECO-Line consist of a plate and a threaded spindle. Any plate can be combined with any threaded spindle.

The anti-slip-plate absorbs vibrations and prevents slipping of the swivel foot.

For matching threaded spindles see 27832.



Order No.	Form	Material	D	H	Load capacity max. kN	Approx. weight kg
27830-10301	A	die cast zinc	30	11,5	16	0,020
27830-10401	A	die cast zinc	40	12	18	0,038
27830-10501	A	die cast zinc	50	14,5	20	0,060
27830-20301	B	die cast zinc	30	13,5	16	0,024
27830-20401	B	die cast zinc	40	14,5	18	0,044
27830-20501	B	die cast zinc	50	17,5	20	0,070
27830-10302	A	stainless steel	30	11,5	22	0,020
27830-10402	A	stainless steel	40	12	24	0,038
27830-10502	A	stainless steel	50	14,5	26	0,060
27830-20302	B	stainless steel	30	13,5	22	0,024
27830-20402	B	stainless steel	40	14,5	24	0,044
27830-20502	B	stainless steel	50	17,5	26	0,070
27830-10303	A	plastic	30	11,5	15	0,005
27830-10403	A	plastic	40	12	15	0,008
27830-10503	A	plastic	50	14,5	15	0,016
27830-20303	B	plastic	30	13,5	15	0,009
27830-20403	B	plastic	40	14,5	15	0,014
27830-20503	B	plastic	50	17,5	15	0,026