

Duck feet



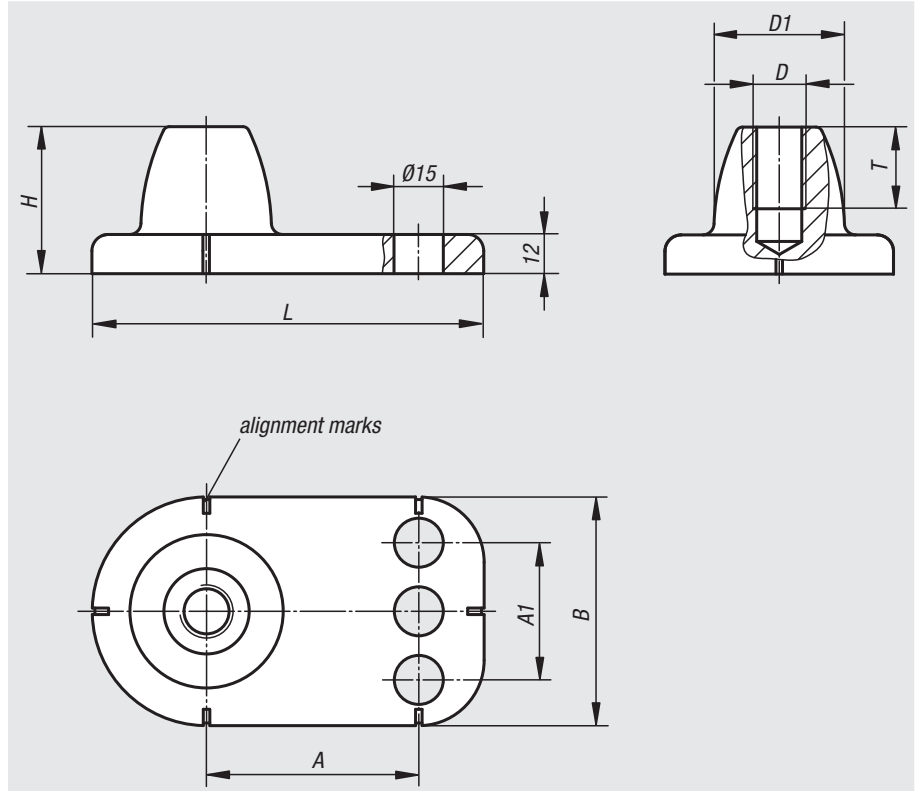
Material:
Sprayed aluminium

Surface finish:
Natural finish, vibration ground

Sample order:
nlm 27833-161

Note:
Stabile swivel foot which is ideally suited for conveyors.
With appropriate align markings for precise positioning of the duck feet.

Accessory:
For matching grub screws see 07640.



Order No.	A	A1	B	D	D1	H	L	T	Load bearing capacity N	Approx. weight kg
27833-161	65	-	70	M16	40	45	119,5	25	4000	0,224
27833-201	75	55	90	M20	52	50	139,5	27,5	6000	0,456
27833-241	85	70	110	M24	61	55	159,5	32	10000	0,647