

Height-adjustable equipment feet



Material, surface finish:

Housing, glass-fibre reinforced thermoplastic, black.
Hexagon screw, galvanized steel.

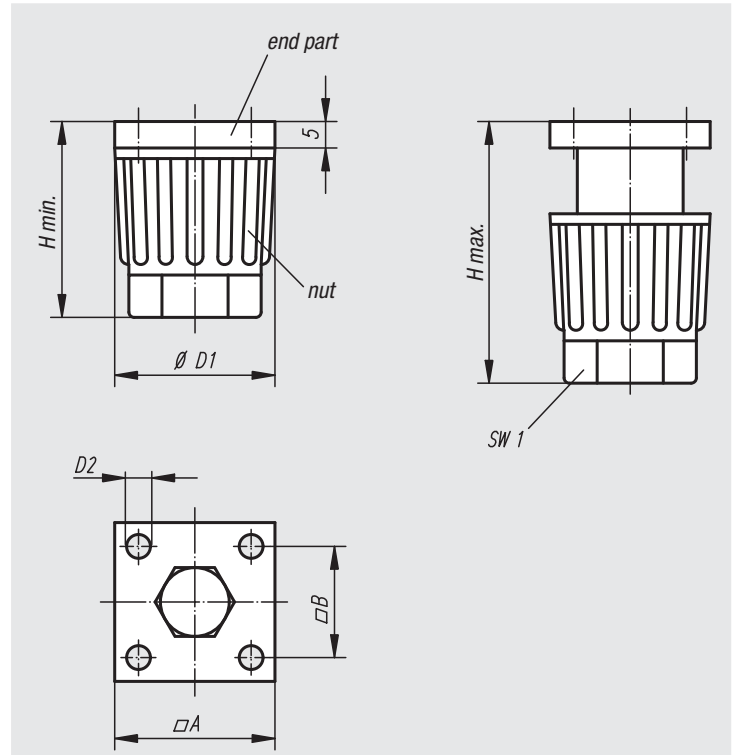
Sample order:

nln 27841-3004

Note:

With its flat end part and the countersunk hexagon head screw, the equipment foot is ideal for mounting on smooth surfaces.

The equipment foot height can be infinitely adjusted by turning the nut by hand or tool.



Order No.	A	B	D1	D2 for countersunk screw	H min. - max.	SW1	Load capacity max. kN	Approx. weight kg
27841-3004	30	20,5	30	M4	35-50	22	1,5	0,045
27841-4006	40	28	40	M6	45-65	30	1,5	0,081