

# Hinges

in plastic with catching function



### Material:

Hinge and coverings, glass-fibre reinforced thermoplastic PA;  
axle in stainless steel

### Surface finish:

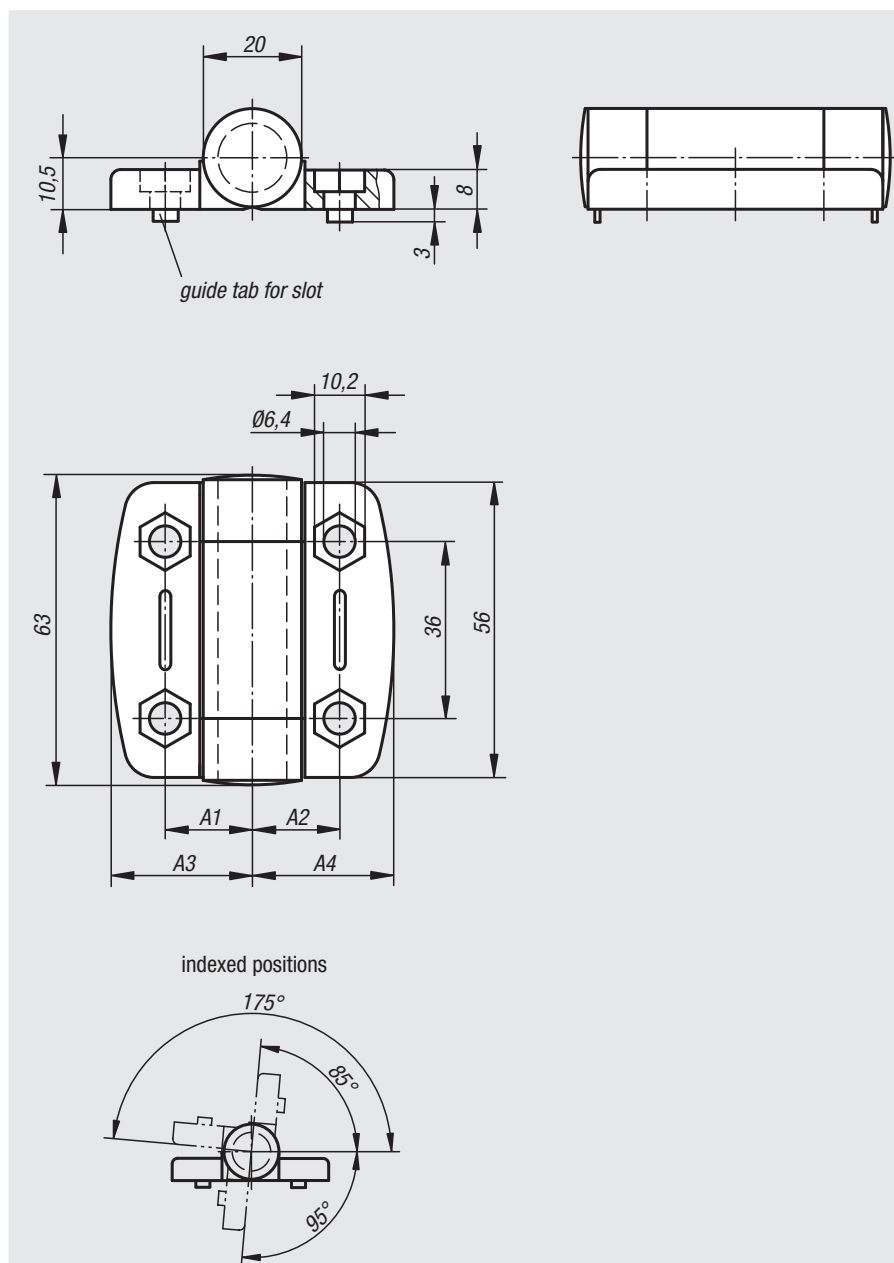
Hinge and coverings black;  
axle natural finish

### Sample order:

nIm 27857-56181800

### Note:

The hinges are equipped with a catching function. It catches in four positions and keeps doors and covers open and tightly closed. The hinges are available with or without guide tabs for aluminium profiles.



Order No.	A1	A2	A3	A4	Guide tabs for slot	Load bearing capacity N	Approx. weight kg
27857-56181800	17,75	17,75	27	27	-	1200	0,073
27857-56181806	17,75	17,75	27	27	6	1200	0,073
27857-56181808	17,75	17,75	27	27	8	1200	0,073
27857-56232300	22,75	22,75	36,75	36,75	-	1200	0,093
27857-56232308	22,75	22,75	36,75	36,75	8	1200	0,093
27857-56232310	22,75	22,75	36,75	36,75	10	1200	0,093