

Hinges

in die cast zinc with clamping function


Material:

Hinge in die cast zinc; axle in steel; clamping lever glass-fibre reinforced thermoplastic; mechanics in steel

Surface finish:

Hinge black powder-coated; axle galvanized; clamping lever black; mechanics black galvanized

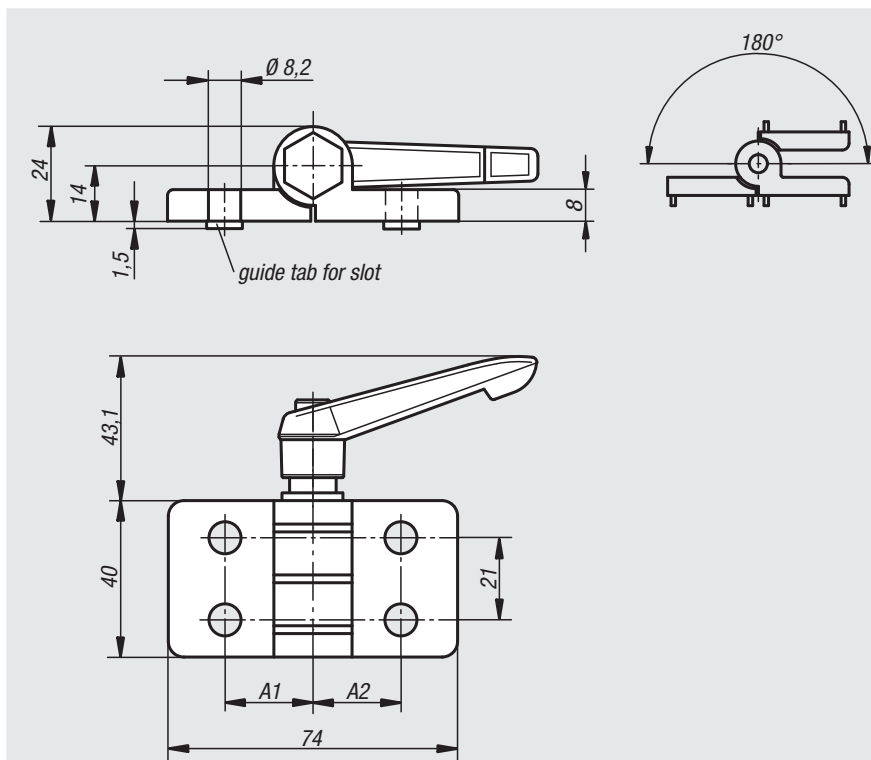
Sample order:

nIm 27868-40232300

Note:

The hinges can be clamped in every position due to adjustable clamping lever.

The hinges are available with or without guide tabs for aluminium profiles.



Order No.	A1	A2	Guide tabs for slot	Load bearing capacity N
27868-40232300	22,5	22,5	-	2500
27868-40232308	22,5	22,5	8	2500
27868-40232310	22,5	22,5	10	2500
27868-40232500	22,5	25	-	2500
27868-40232508	22,5	25	8	2500
27868-40232510	22,5	25	10	2500
27868-45252500	25	25	-	2500
27868-45252508	25	25	8	2500
27868-45252510	25	25	10	2500