

Hinges

in aluminium, detachable, left


Material:

Pressure-cast aluminium;
axle in stainless steel

Surface finish:

Hinge matt galvanized;
axle natural finish

Sample order:

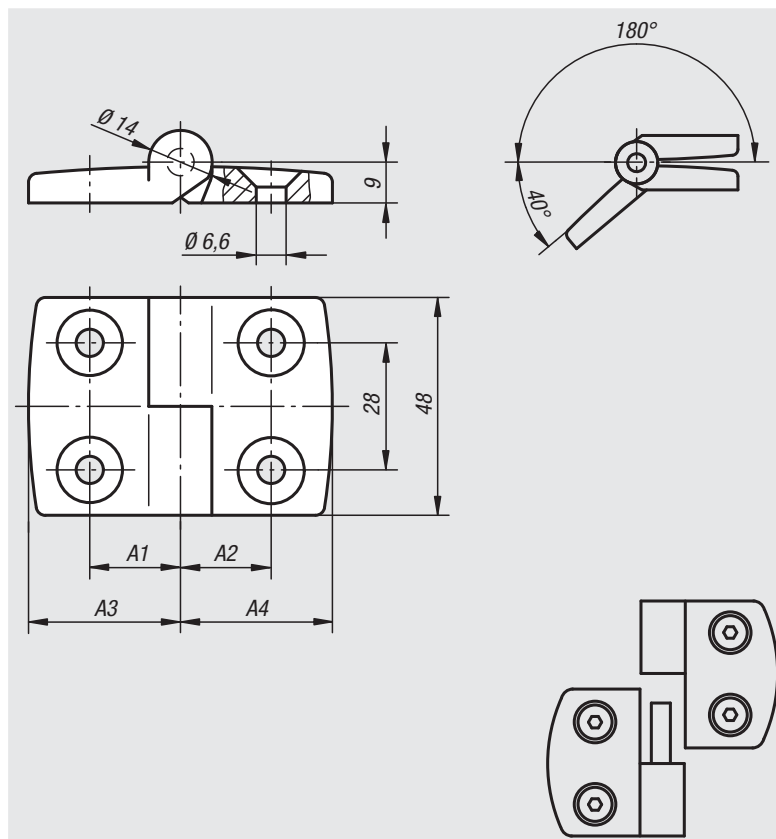
nIm 27870-1251515

Note:

Hinges for surface elements and aluminium profiles.

On request:

Hinges with guide tabs (slot 5, 6, 8, 10, 12 and 14) for aluminium profiles.
Combinations of different wing lengths.



Order No.	A1	A2	A3	A4	Load bearing capacity N	Approx. weight kg
27870-1251515	15	15	26	26	1500	0,056
27870-1301818	17,5	17,5	29,5	29,5	1500	0,064
27870-1352020	20	20	36	36	1500	0,072
27870-1402323	22,5	22,5	38,5	38,5	1500	0,068
27870-1452525	25	25	43,5	43,5	1500	0,070
27870-1502828	27,5	27,5	48,5	48,5	1500	0,078
27870-1603333	32,5	32,5	57,5	57,5	1500	0,088