

Oil level gauges

**Material, surface finish:**

Housing in steel, black paint finish;
sight glass in polyamide, transparent, high mechanical stability, non-ageing, temperature resistant with oil up to 100 °C, with water up to 70 °C;
O-ring and flat packing in rubber (NBR);
aluminium reflector, painted white;
graduation and scale marks black;
screw and hexagon nut in galvanized steel

Sample order:

nlm 28000-107610

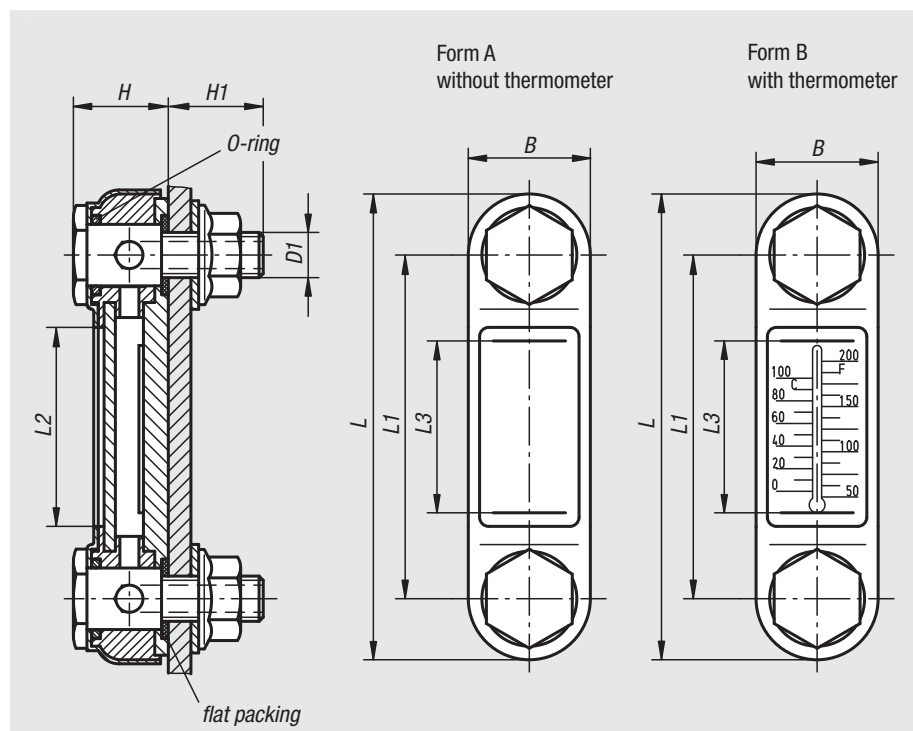
Note:

The oil level gauges can either be fastened as shown in the illustration or directly in the threaded hole.

Centre distance for the fastening holes = $L1 \pm 0.5$.

The oil level gauges are suitable for tanks operating without pressure.

Maximum operating temperature: 100 °C.



Order No.	Form	B	D1	H	H1	L	L1	L2	L3	Number of fastening screws	Thermometer scale	Approx. weight kg
28000-107610	A	31	M10	24,5	20	107	76	39	37	2	-	0,150
28000-107612	A	31	M12	24,5	20	107	76	39	37	2	-	0,150
28000-112710	A	31	M10	24,5	20	156	127	90	80	2	-	0,180
28000-112712	A	31	M12	24,5	20	156	127	90	80	2	-	0,180
28000-125412	A	34	M12	33	17	280	254	200	178	2	-	0,240
28000-207610	B	31	M10	24,5	20	107	76	39	37	2	0 - 100 °C / 50 - 200 °F	0,150
28000-207612	B	31	M12	24,5	20	107	76	39	37	2	0 - 100 °C / 50 - 200 °F	0,150
28000-212710	B	31	M10	24,5	20	156	127	90	80	2	0 - 100 °C / 50 - 200 °F	0,180
28000-212712	B	31	M12	24,5	20	156	127	90	80	2	0 - 100 °C / 50 - 200 °F	0,180
28000-225412	B	34	M12	33	17	280	254	200	178	2	-10 - 80 °C / 20 - 180 °F	0,240