

# Oil level sight glasses



### Material, surface finish:

Housing in polyamide, transparent, high mechanical stability, non-ageing, temperature resistant with oil up to 100 °C, with water up to 70 °C;

resistant to solvents but not to alcohol;

flat packing asbestos-free;

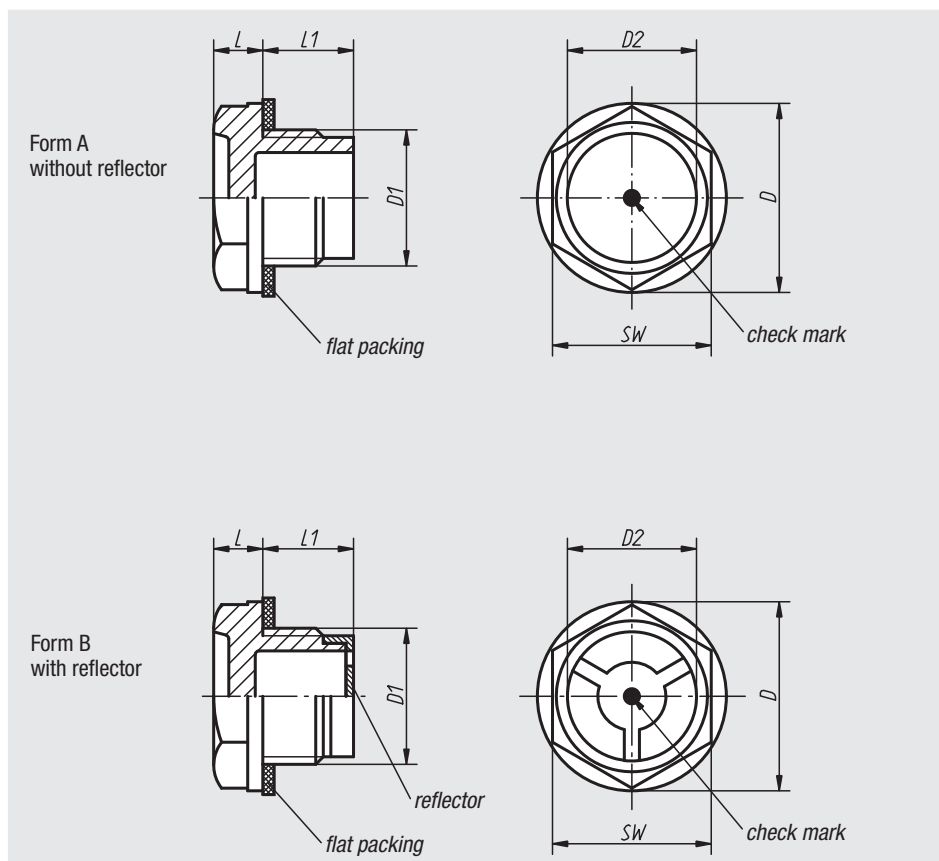
reflector in white plastic

### Sample order:

nIm 28004-143100

### On request:

Rubber gasket (NBR).



Order No.	Form	D	D1	D2	L	L1	SW	Tightening torque max. Nm	Approx. weight kg
28004-120014	A	20	G 1/4	15	7	8	17	6	0,002
28004-122038	A	22	G 3/8	14	6,5	10,5	18	8	0,004
28004-128012	A	28	G 1/2	16	8	11	24	12	0,006
28004-135034	A	35	G 3/4	21	8	12	30	16	0,008
28004-143100	A	43	G 1	32	11	12	36	-	0,012
28004-151114	A	51	G 1 1/4	33	10	16	42	-	0,020
28004-158112	A	58	G 1 1/2	40	12	16	50	-	0,026
28004-174200	A	74	G 2	48	12	22	64	-	0,052
28004-1201415	A	20	M14x1,5	15	7	8	17	7	0,002
28004-1221615	A	22	M16x1,5	14	6,5	10	18	8	0,003
28004-1251815	A	25	M18x1,5	16	7	10,5	21	10	0,003
28004-1282015	A	28	M20x1,5	18	7,5	11	24	16	0,004
28004-1282215	A	28	M22x1,5	16	7,5	12,5	24	12	0,005
28004-1514015	A	51	M40x1,5	32	10	17	42	-	0,022
28004-222038	B	22	G 3/8	14	6,5	10,5	18	8	0,004
28004-228012	B	28	G 1/2	16	8	11	24	12	0,006
28004-235034	B	35	G 3/4	21	8	12	30	16	0,008
28004-243100	B	43	G 1	32	11	12	36	-	0,012
28004-251114	B	51	G 1 1/4	33	10	16	42	-	0,020
28004-258112	B	58	G 1 1/2	40	12	16	50	-	0,026
28004-274200	B	74	G 2	48	12	22	64	-	0,052
28004-2221615	B	22	M16x1,5	14	6,5	10	18	8	0,003
28004-2251815	B	25	M18x1,5	16	7	10,5	21	10	0,003
28004-2282015	B	28	M20x1,5	18	7,5	11	24	16	0,004
28004-2282215	B	28	M22x1,5	16	7,5	12,5	24	12	0,005
28004-2514015	B	51	M40x1,5	32	10	17	42	-	0,022