

Press-in oil level sight glasses

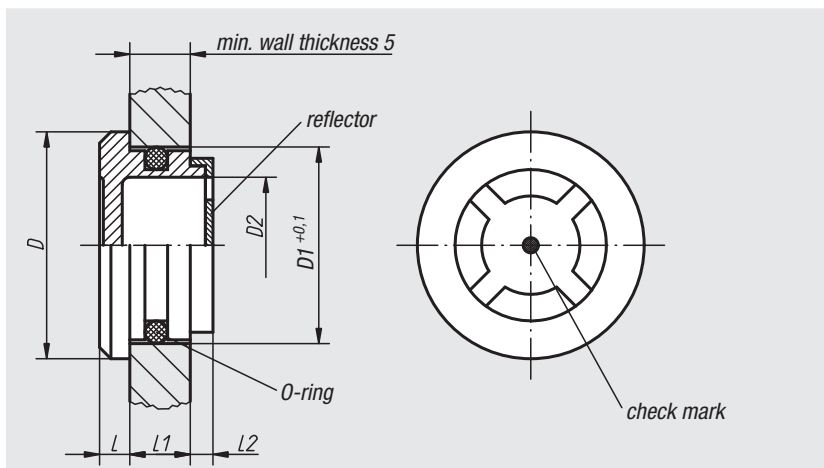


Material, surface finish:

Housing in polyamide, transparent, high mechanical stability, non-ageing, temperature resistant with oil up to 100 °C, with water up to 70 °C; resistant to solvents but not to alcohol; O-ring in rubber (NBR); reflector in white plastic

Sample order:

nIm 28006-3026



Order No.	D	drill-Ø D1	D2	L	L1	L2	Approx. weight kg
28006-2420	24	20	14	4	7	3	0,003
28006-3026	30	26	20	4	8	3,5	0,004
28006-3632	36	32	24	4	9	4	0,008
28006-4238	42	38	30	4	10	4	0,010
28006-4440	44	40	32	4	10	4	0,012

Dome oil level sight glasses



Material, surface finish:

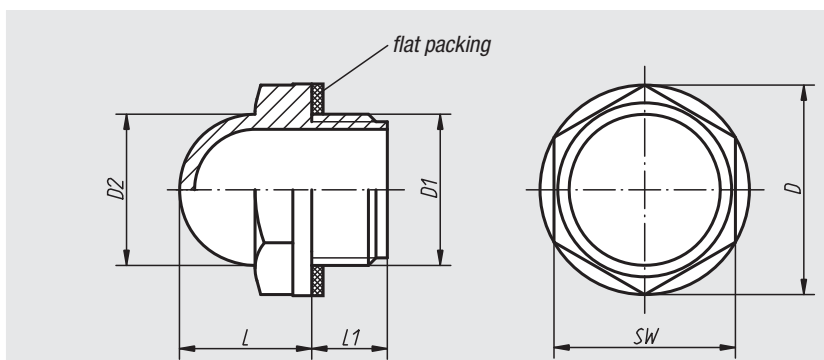
Housing in polyamide, transparent, high mechanical stability, non-ageing, temperature resistant with oil up to 100 °C, with water up to 70 °C; resistant to solvents but not to alcohol; flat packing asbestos-free

Sample order:

nIm 28008-28012

On request:

Rubber gasket (NBR).



Order No.	D	D1	D2	L	L1	SW	Tightening torque max. Nm	Approx. weight kg
28008-22038	22	G 3/8	15	14	10	19	8	0,004
28008-28012	28	G 1/2	20	17	10	24	12	0,006
28008-35034	35	G 3/4	25	20	10	30	16	0,008
28008-42100	42	G 1	31	24	10,5	36	20	0,016