

Vent screws

with splash guard



Material, surface finish:

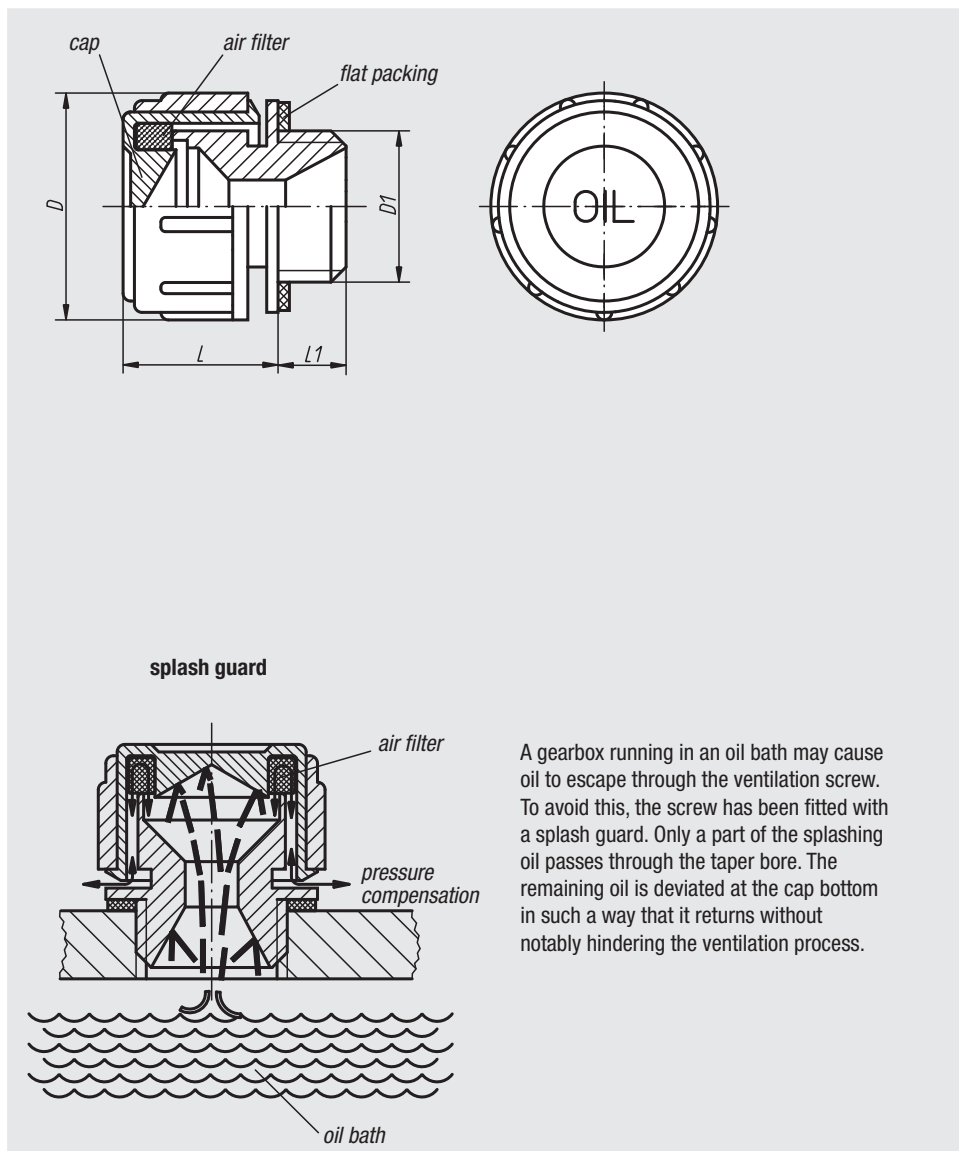
Housing in black thermoplastic polyamide 66;
 cap in red thermoplastic polyamide 66;
 air filter in polyurethane (PU foam), filter
 fineness 50 µm;
 flat packing in rubber (NBR)

Sample order:

nIm 28036-30038

Note:

Temperature resistant with oil up to 100 °C,
 with water up to 70 °C.



A gearbox running in an oil bath may cause oil to escape through the ventilation screw. To avoid this, the screw has been fitted with a splash guard. Only a part of the splashing oil passes through the taper bore. The remaining oil is deviated at the cap bottom in such a way that it returns without notably hindering the ventilation process.

Order No.	D	D1	L	L1	Approx. weight kg
28036-30014	30	G 1/4	21	10	0,010
28036-30038	30	G 3/8	21	10	0,010
28036-30012	30	G 1/2	21	10	0,012