

# Vent screws

with dipstick



### Material, surface finish:

Housing in black thermoplastic polyamide 66;  
cap in red thermoplastic polyamide 66;  
air filter (only form B) in polyurethane (PU foam),  
filter fineness 50 µm;  
dipstick in phosphated zinc;  
O-ring in rubber (NBR)

### Sample order:

nlm 28054-141012

### Note:

Temperature resistant with oil up to 100 °C,  
with water up to 70 °C.

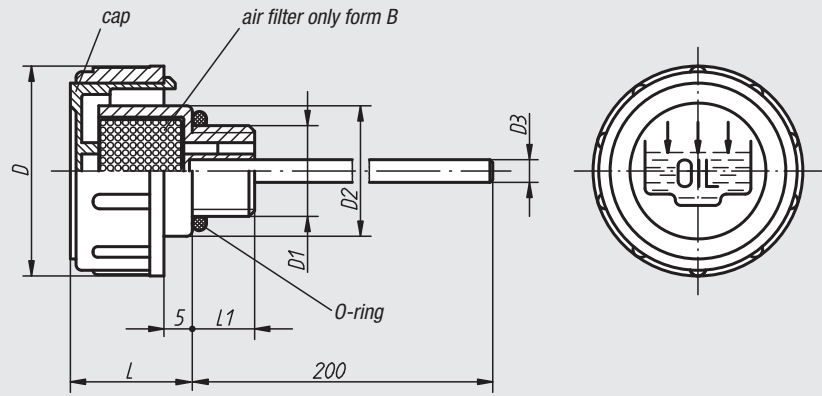
The removable cap allows easy cleaning of the  
air filter.

### On request:

Min-Max mark notches and other dipstick  
lengths.

Form A  
without air filter

Form B  
with air filter



Order No.	Form	D	D1	D2	D3	L	L1	Approx. weight kg
28054-136038	A	36	G 3/8	23	4	17	11	0,032
28054-141012	A	41	G 1/2	28	4	18	12	0,048
28054-147034	A	47	G 3/4	33	5	17	12	0,054
28054-152100	A	52	G 1	38	5	20	12	0,060
28054-163114	A	63	G 1 1/4	49	5	23	13	0,086
28054-163112	A	63	G 1 1/2	55	5	23	13,5	0,090
28054-1361615	A	36	M16x1,5	23	4	17	11	0,032
28054-1411815	A	41	M18x1,5	28	4	17,5	12	0,046
28054-1412015	A	41	M20x1,5	28	4	17,5	12	0,048
28054-1412215	A	41	M22x1,5	28	4	17,5	12	0,048
28054-236038	B	36	G 3/8	23	4	17	11	0,032
28054-241012	B	41	G 1/2	28	4	18	12	0,048
28054-247034	B	47	G 3/4	33	5	17	12	0,054
28054-252100	B	52	G 1	38	5	20	12	0,060
28054-263114	B	63	G 1 1/4	49	5	23	13	0,086
28054-263112	B	63	G 1 1/2	55	5	23	13,5	0,090
28054-2361615	B	36	M16x1,5	23	4	17	11	0,032
28054-2411815	B	41	M18x1,5	28	4	17,5	12	0,046
28054-2412015	B	41	M20x1,5	28	4	17,5	12	0,048
28054-2412215	B	41	M22x1,5	28	4	17,5	12	0,048