

Vent screws

with nonreturn valve and dipstick



Material, surface finish:

Housing in black thermoplastic polyamide 66;
cap in red thermoplastic polyamide 66;
compression spring in stainless steel;
dipstick in phosphated zinc;
stop and flat packing in rubber (NBR)

Sample order:

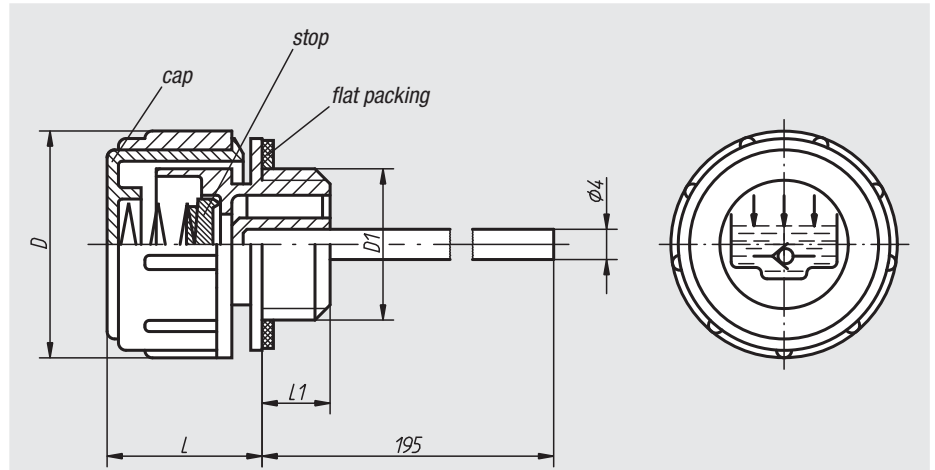
nIm 28058-30038

Note:

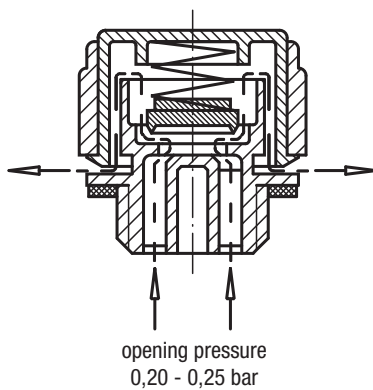
Temperature resistant with oil up to 100 °C,
with water up to 70 °C.
Opening pressure 0.20 – 0.25 bar.

On request:

Min-Max mark notches and other dipstick
lengths.



function principle



| Order No. | D | D1 | L | L1 | Approx. weight kg |
|-------------|----|-------|----|----|----------------------|
| 28058-30038 | 30 | G 3/8 | 21 | 10 | 0,030 |
| 28058-30012 | 30 | G 1/2 | 21 | 10 | 0,030 |