

Dipsticks



Material, surface finish:

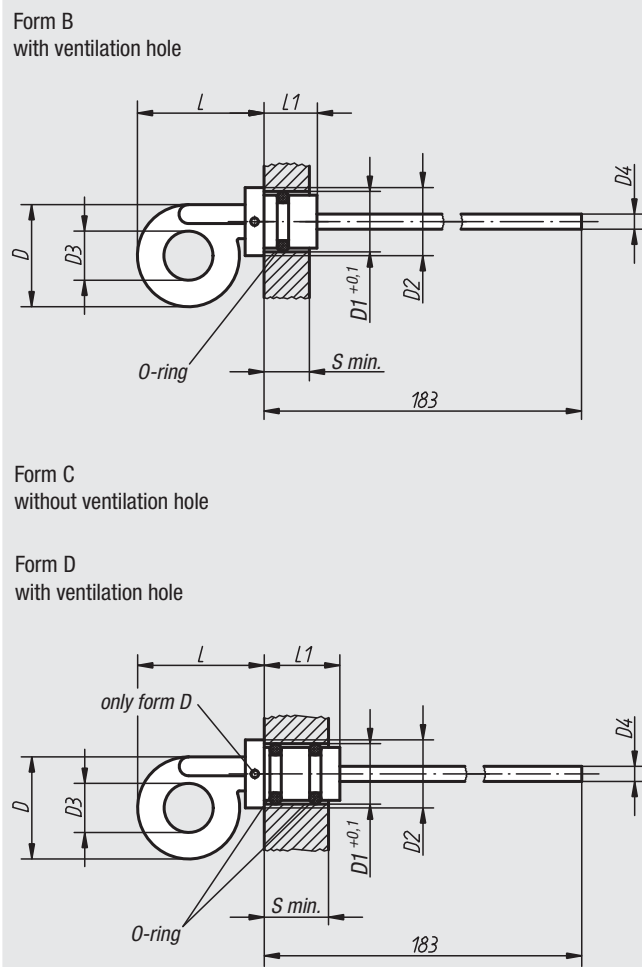
Grip in black thermoplastic polyamide 66;

dipstick in phosphated zinc;

O-ring in rubber (NBR)

Sample order:

nIm 28060-23218



Order No.	Form	D	drill-Ø D1	D2	D3	D4 Ø	L	L1	S min.	Approx. weight kg
28060-22714	B	27	14	18	13	4	34	13	10	0,028
28060-23218	B	32	18	24	14	5	45	17	9	0,040
28060-23220	B	32	20	24	14	5	44,5	18	10	0,040
28060-32714	C	27	14	18	13	4	34	20	17	0,028
28060-33012	C	27	12	18	14	4	36	20	16	0,028
28060-33318	C	33	18	24	14	5	44	21	17,5	0,042
28060-33520	C	35	20	24	16	5	46	21	17,5	0,048
28060-42714	D	27	14	18	13	4	34	20	17	0,028
28060-43318	D	33	18	24	14	5	44	21	17,5	0,042