

# Filler neck



**Material, surface finish:**

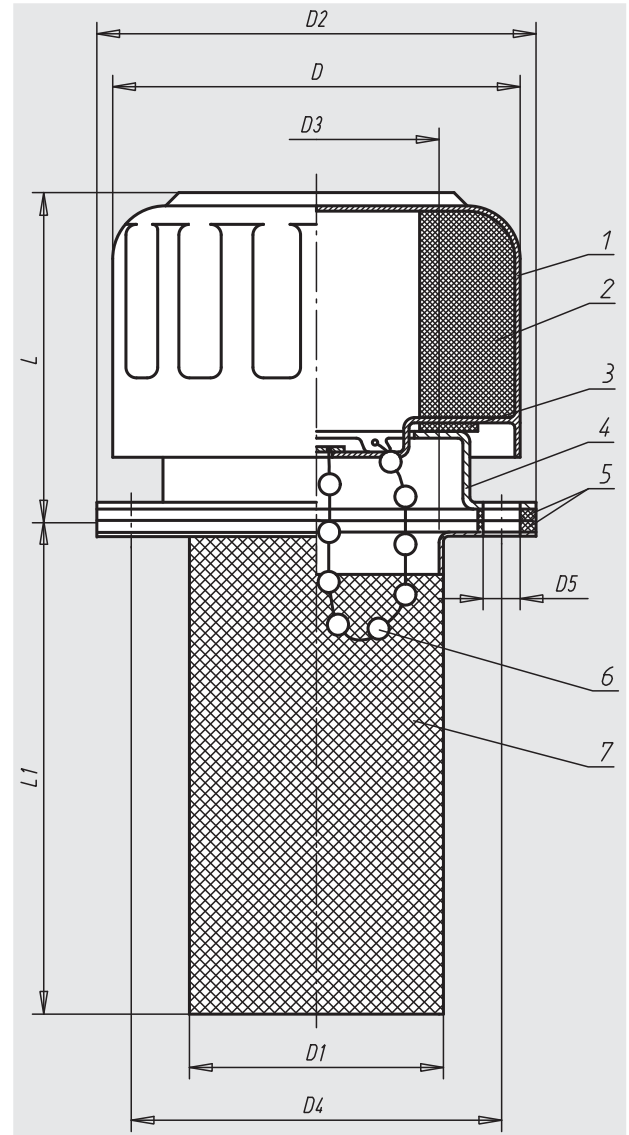
- 1. Closing housing in chrome steel
- 2. Air filter in polyurethane (PU foam), filter fineness 40 µm.  
Air flow rate up to 720 l/min
- 3 Flat packing in cork
- 4. Mounting flange with fixing screws, bayonet fitting
- 5. Flat packing in cork
- 6. Chain in nickel-plated brass
- 7. Filler strainer in galvanized steel

**Sample order:**

nIm 28071-45

**Note:**

The filler necks are supplied with packings and fixing screws (M5).



Order No.	Surface finish	D	D1	D2	D3	D4	D5	L	L1	Approx. weight kg
28071-45	without chain	46,5	27,5	52	25	41,3	6 (3x)	43	66	0,110
28071-77	with chain	80	49	83	44	71,5	6 (6x)	57	80	0,280