

Cross clamp, plastic



Material, surface finish:

Black thermoplastic; socket head screw to DIN 7984 and hexagon nut to DIN 985 in galvanized steel

Sample order:

nIm 29002-3030

Note:

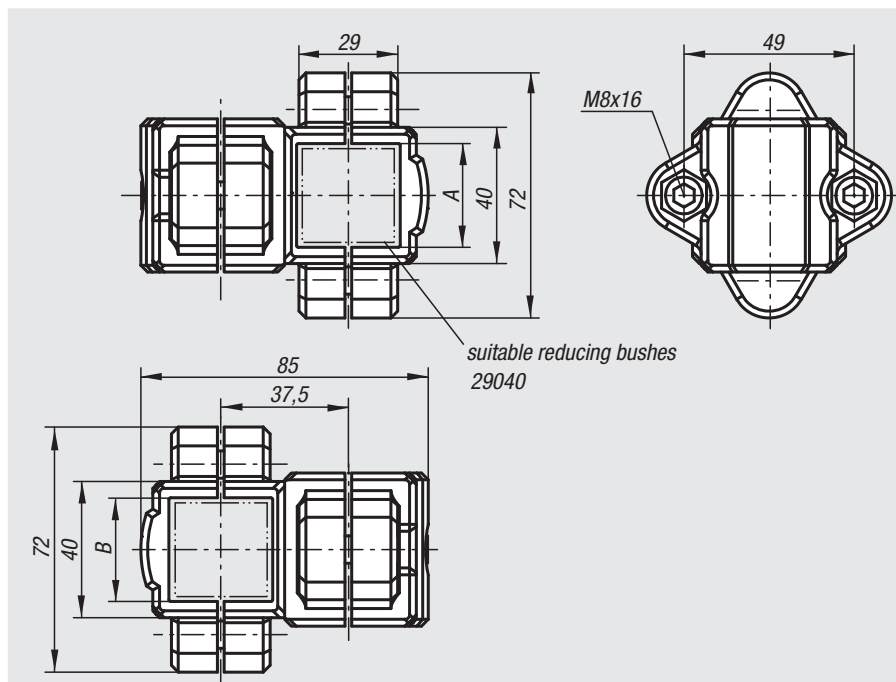
With the cross clamp square tubes 30 mm can be clamped. If smaller tubes are to be clamped or converted from square to round tubes, these can be adjusted to the required fitting by means of reducing bushes 29040.

On request:

Clamp levers in plastic for fixing.

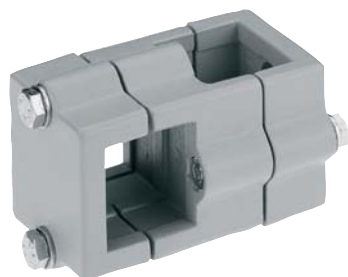
Accessory:

- Reducing Bushes 29040
- Round and Square Tubes 29050



Order No.	A	B	Approx. weight kg
29002-3030	30	30	0,171

Cross clamps, aluminium



Material, surface finish:

Cast aluminium, vibration ground; clamping screw with nut in galvanized steel

Sample order:

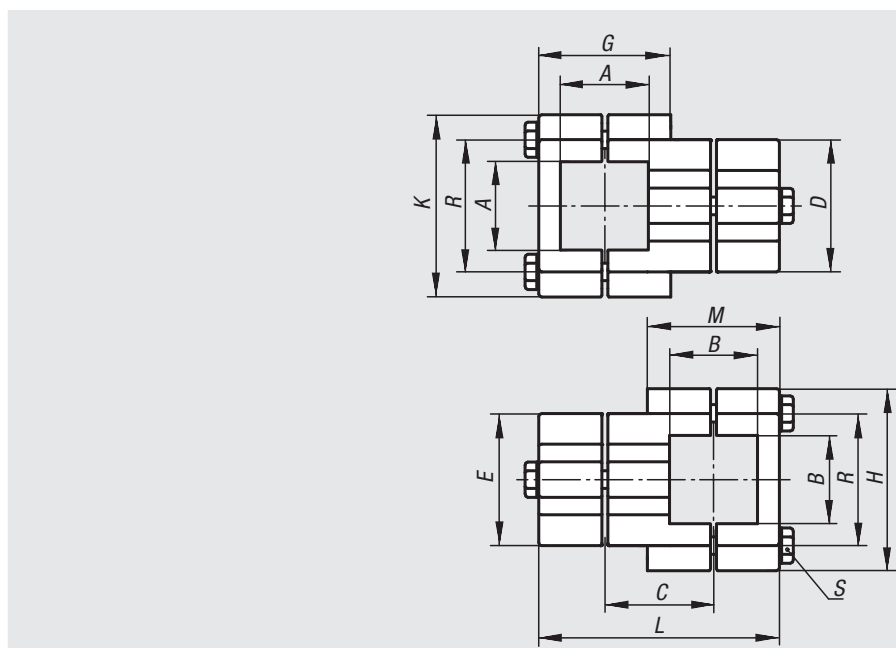
nIm 29002-523030

On request:

Clamp levers for fixing and further diameters.

Accessory:

- Round and square tubes 29050



Order No.	A	B	C	D	E	G	H	K	L	M	R	S	Approx. weight kg
29002-523030	30,2	30,2	38	45	45	44	62	62	83	44	46	M8x45	0,321
29002-524040	40,3	40,3	50	60	60	60	75	75	110	60	57	M8x60	0,584