

Cross clamp, plastic



Material, surface finish:

Black thermoplastic; socket head screw to DIN 7984 and hexagon nut to DIN 985 in galvanized steel

Sample order:

nIm 29004-3030

Note:

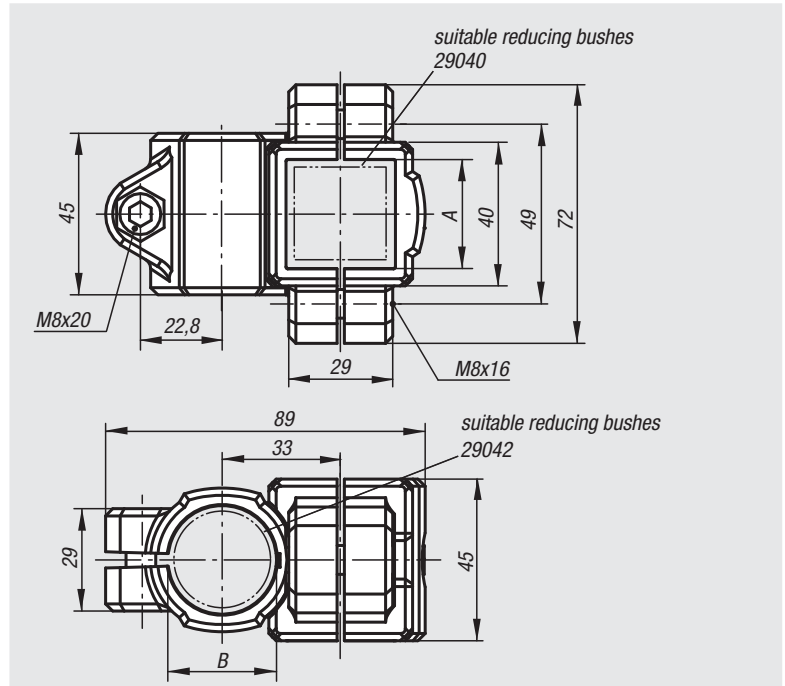
With the cross clamp square and round tubes 30 mm can be clamped. If smaller tubes are to be clamped or optionally converted from round to square tubes, these can be adjusted to the required fitting by means of reducing bushes 29040 or 29042.

On request:

Clamp levers in plastic for fixing.

Accessory:

- Reducing bushes 29040 and 29042
- Round and square tubes 29050



Order No.	A	B	Approx. weight kg
29004-3030	30	30	0,117

Cross clamps, aluminium



Material, surface finish:

Cast aluminium, vibration ground; clamping screw with nut in galvanized steel

Sample order:

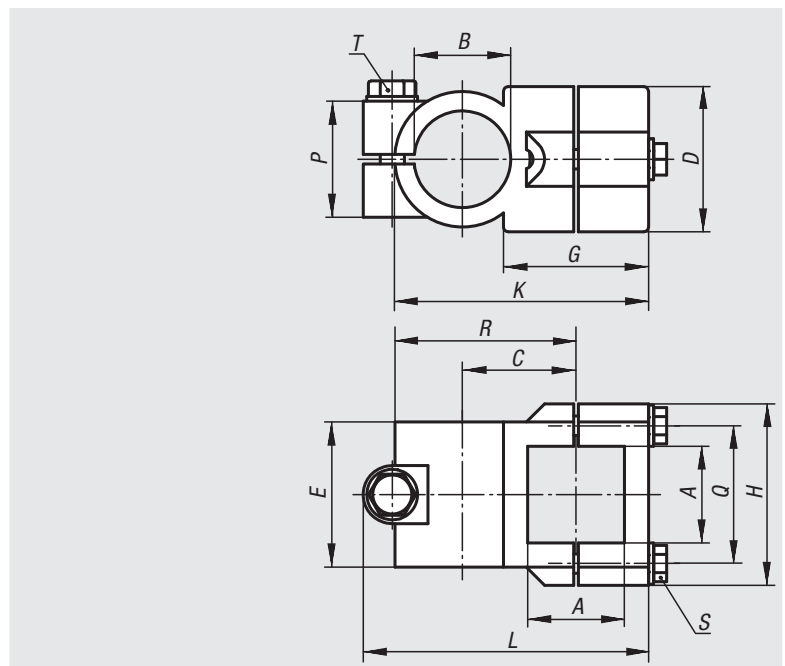
nIm 29004-53030

On request:

Clamp levers for fixing and further diameters.

Accessory:

- Round and square tubes 29050



Order No.	A	B	C	D	E	G	H	K	L	P	Q	R	S	T	Approx. weight kg
29004-53030	30,2	30,1	33	45	45	40	62	74,5	85	33	46	55	M8x35	M8 x 35	0,245
29004-54040	40,3	40,2	47	60	60	60	75	105	117	48	57	75	M8x45	M10 x 50	0,525

24000
26000
27000
28000
29000
31000
32500
33000
95000
96000
97000
A-Z