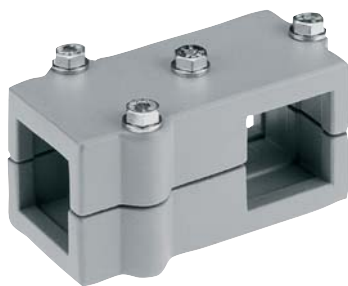


Angle clamps, aluminium

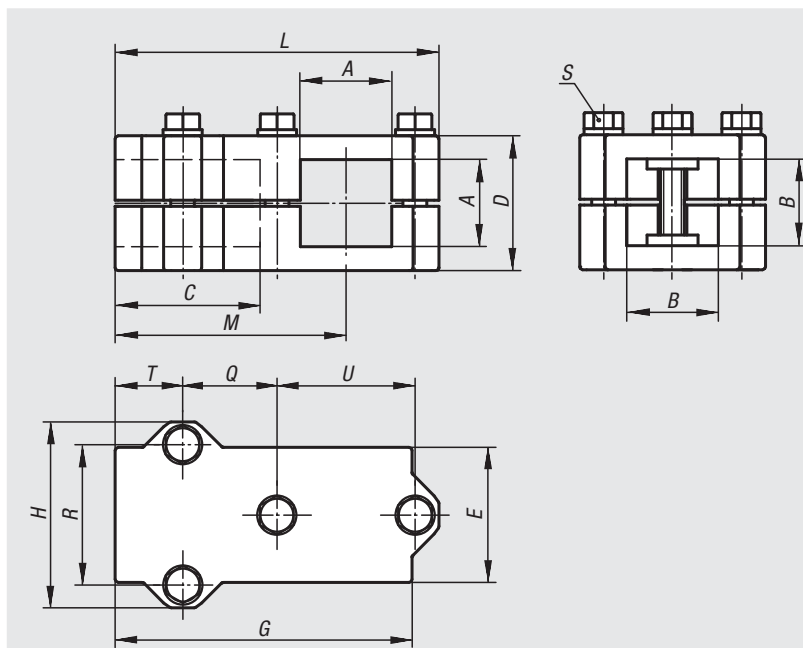


Material, surface finish:
Cast aluminium, vibration ground;
clamping screw with nut in galvanized steel

Sample order:
nlm 29008-523030

On request:
Clamp levers for fixing and further dimensions
for square tubes.

Accessory:
- Round and square tubes 29050



Order No.	A	B	C	D	E	G	H	L	M	Q	R	S	T	U	Approx. weight kg
29008-523030	30,3	30,3	46	45	45	100	62	108	77	31,5	46	M8x45	23	46	0,361
29008-524040	40,4	40,4	60	60	60	129	75	136	99	40	57	M8x60	30	57	0,722

Angle clamps, aluminium

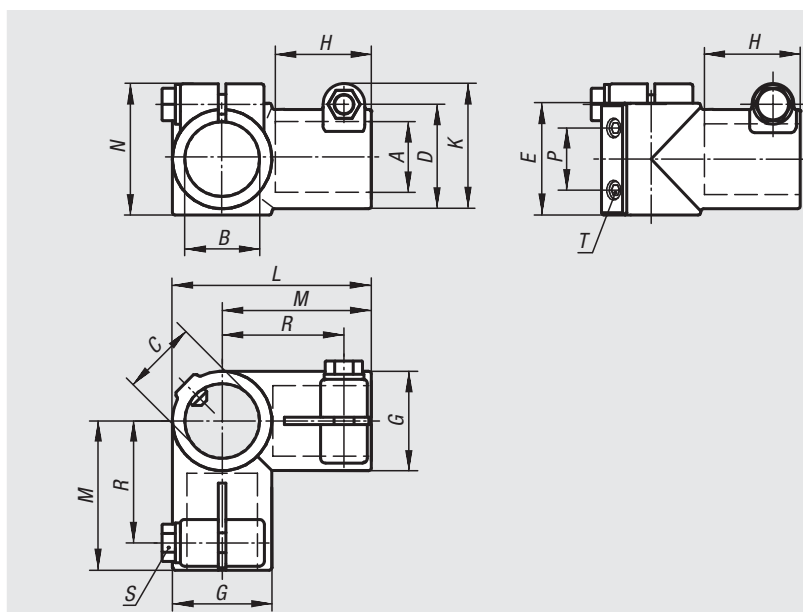


Material, surface finish:
Cast aluminium, vibration ground,
clamping screw with nut in galvanized steel

Sample order:
nlm 29008-530

On request:
Clamp levers for fixing and further diameters.

Accessory:
- Round and square tubes 29050



Order No.	A	B	C	D	E	G	H	K	L	M	N	P	R	S	T	Approx. weight kg
29008-530	30,1	30,1	30	40	45	40	35	51	80	60	53	25	49	M8x35	M8x15	0,250
29008-540	40,2	40,2	40	56	60	56	58	71	116	88	73	35	75	M10x30	M8x10	0,769
29008-550	50,2	50,2	50,2	66	70	66	70	78	136	108	80	40	90	M10x35	M10x12	0,996

24000
26000
27000
28000
29000
31000
32500
33000
95000
96000
97000
A-Z