

Base clamps, plastic


Material, surface finish:

Black thermoplastic; socket head screw to DIN 7984 and hexagon nut to DIN 985 in galvanized steel

Sample order:

nIm 29010-18

Note:

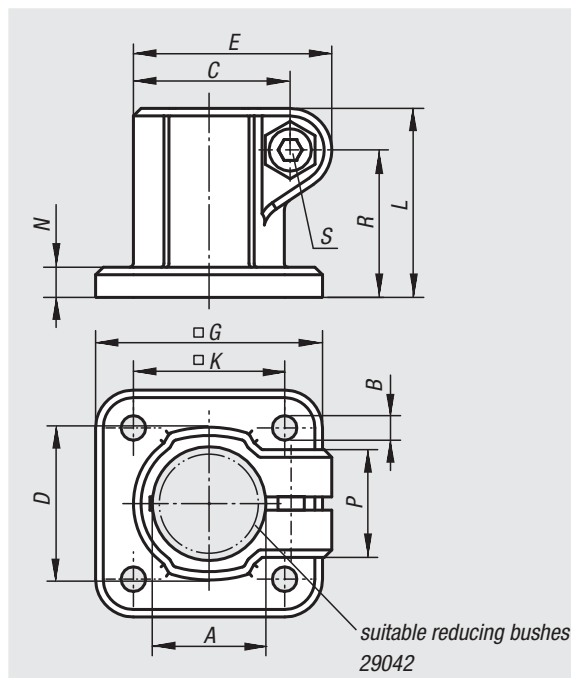
The basic size for round tubes is $\varnothing 18$ mm or $\varnothing 30$ mm. If smaller tubes are to be clamped or converted from round to square tubes, these can be adjusted to the required fitting by means of reducing bushes 29042.

On request:

Clamp levers in plastic for fixing.

Accessory:

- Reducing bushes 29042
- Round and square tubes 29050



Order No.	A	B	C	D	E	G	K	L	N	P	R	S	Approx. weight kg
29010-18	18	5,3	26,5	26	34	45	30	32	5	21	24,5	M6x18	0,030
29010-30	30	6,5	41,5	42	52,5	60	40	50	8	28,5	39	M8x25	0,075