

Flange clamps, aluminium



Material, surface finish:

Cast aluminium, vibration ground; socket head screw to DIN 7984 and hexagon nut to DIN 985 in galvanized steel

Sample order:

nIm 29014-518

Note:

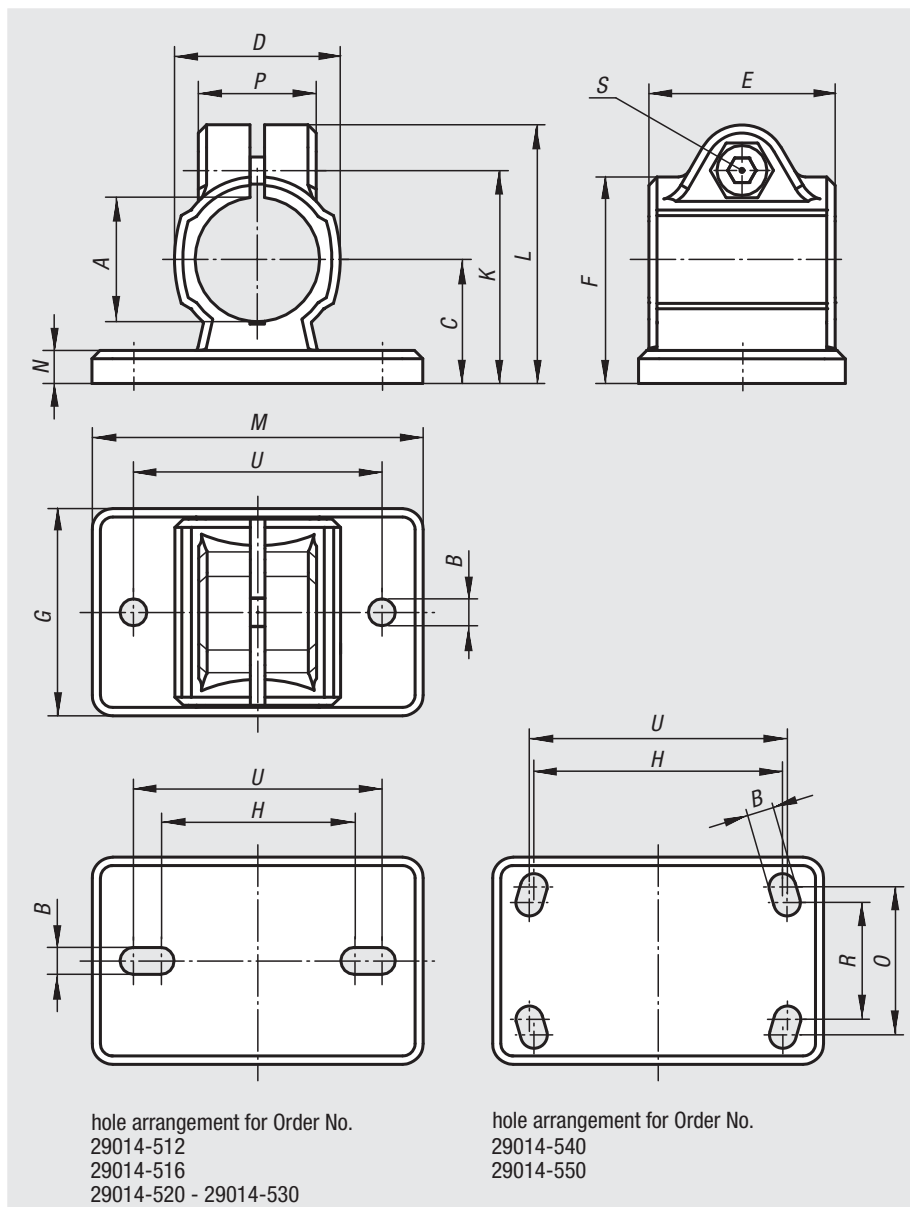
* Oblong hole

On request:

Clamp levers for fixing and further diameters.

Accessory:

- Round and square tubes 29050



Order No.	A	B	C	D	E	F	G	H	K	L	M	N	O	P	R	S	U	Approx. weight kg
29014-512	12,1	5,5* (2x)	18	26	32	31	35	38	32,5	41	50	5	-	23	-	M6x20	40	0,059
29014-514	14,1	5,5 (2x)	18	26	32	31	35	-	32,5	41	50	5	-	23	-	M6x20	40	0,063
29014-515	15,1	5,5 (2x)	18	26	32	31	35	-	32,5	41	50	5	-	23	-	M6x20	40	0,062
29014-516	16,1	5,5* (2x)	18	26	32	31	35	38	32,5	41	50	5	-	23	-	M6x20	40	0,060
29014-518	18,1	5,5 (2x)	18	26	32	31	35	-	32,5	41	50	5	-	23	-	M6x20	40	0,056
29014-520	20,1	6,5* (2x)	30	40	40	50	55	53	53	63	78	7	-	33	-	M8x25	60	0,197
29014-525	25,1	6,5* (2x)	30	40	40	50	55	53	53	63	78	7	-	33	-	M8x25	60	0,180
29014-530	30,1	6,5* (2x)	30	40	40	50	55	53	53	63	78	7	-	33	-	M8x25	60	0,159
29014-540	40,17	8,5* (4x)	42	56	60	70	80	80	74	87	105	10	60	40	52	M10x30	82	0,397
29014-550	50,17	10,5* (4x)	50	66	65	83	90	98	85	98	128	14	62	45	60	M10x35	100	0,628