

## Flange clamp, plastic



**Material, surface finish:**

Black thermoplastic; socket head screw to DIN 7984 and hexagon nut to DIN 985 in galvanized steel

**Sample order:**

nIm 29016-30

**Note:**

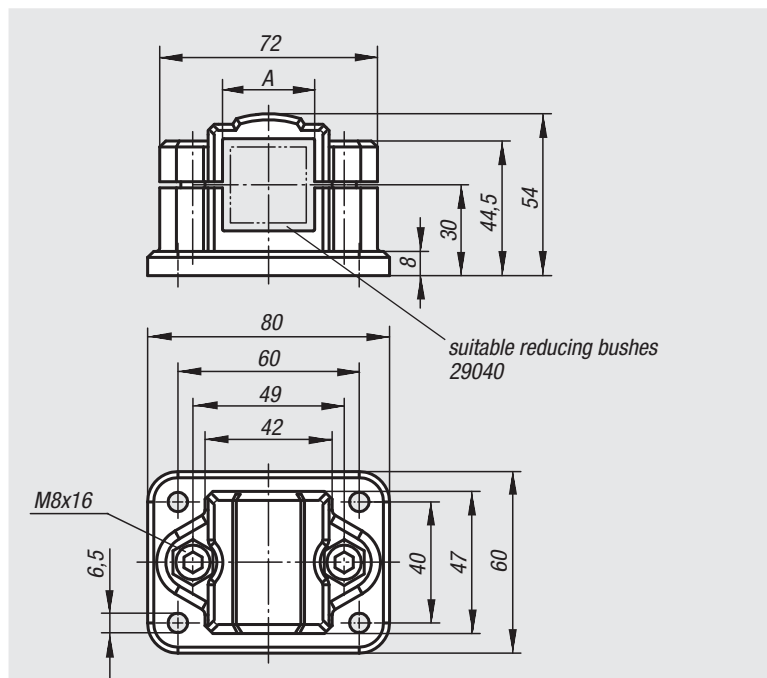
With the flange clamp square tubes 30 mm can be clamped. If smaller tubes are to be clamped or converted from square to round tubes, these can be adjusted to the required fitting by means of reducing bushes 29040.

**On request:**

Clamp levers in plastic for fixing.

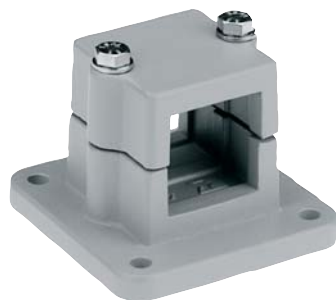
**Accessory:**

- Reducing bushes 29040
- Round and square tubes 29050



Order No.	A	Approx. weight kg
29016-30	30	0,125

## Flange clamps, aluminium



**Material, surface finish:**

Cast aluminium, vibration ground, clamping screw with nut in galvanized steel

**Sample order:**

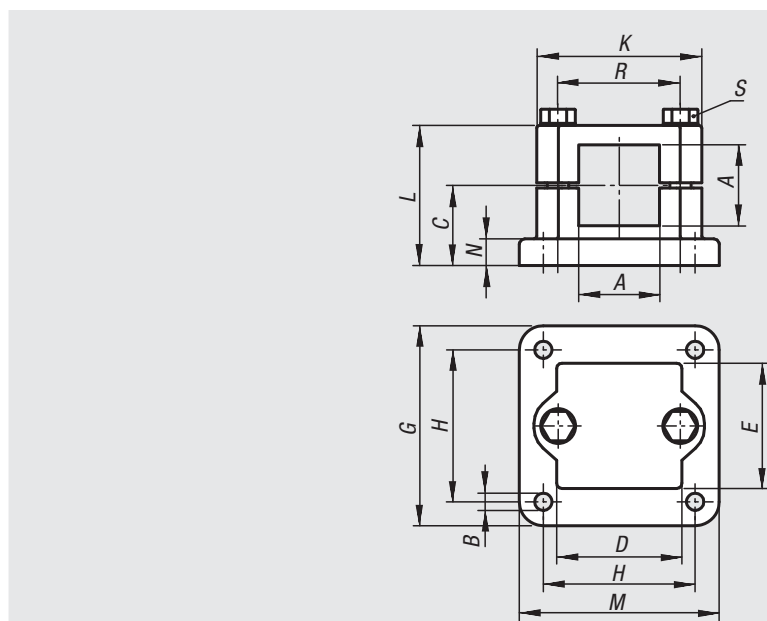
nIm 29016-5230

**On request:**

Clamp levers for fixing and further dimensions for square tubes available.

**Accessory:**

- Round and square tubes 29050



Order No.	A	B	C	D	E	G	H	K	L	M	N	R	S	Approx. weight kg
29016-5225	25,3	6,5	30	45	45	75	57	62	52,5	75	10	46	M8x50	0,292
29016-5230	30,3	6,5	30	45	45	75	57	62	52,5	75	10	46	M8x50	0,273
29016-5240	40,4	8,5	40	60	60	100	76	75	70	100	10	57	M8x70	0,530