

Flange clamp, plastic


Material, surface finish:

Black thermoplastic; socket head screw to DIN 7984 and hexagon nut to DIN 985 in galvanized steel

Sample order:

nIm 29018-30

Note:

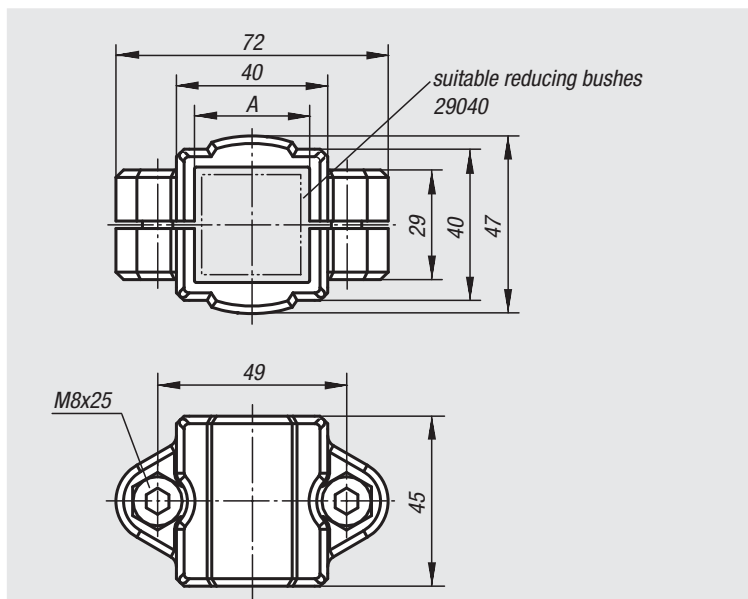
With the flange clamp square tubes 30 mm can be clamped. If smaller tubes are to be clamped or converted from square to round tubes, these can be adjusted to the required fitting by means of reducing bushes 29040.

On request:

Clamp levers in plastic for fixing.

Accessory:

- Reducing bushes 29040
- Round and square tubes 29050



Order No.	A	Approx. weight kg
29018-30	30	0,090

Flange clamp, plastic


Material, surface finish:

Black thermoplastic; socket head screw to DIN 7984 and hexagon nut to DIN 985 in galvanized steel

Sample order:

nIm 29020-30

Note:

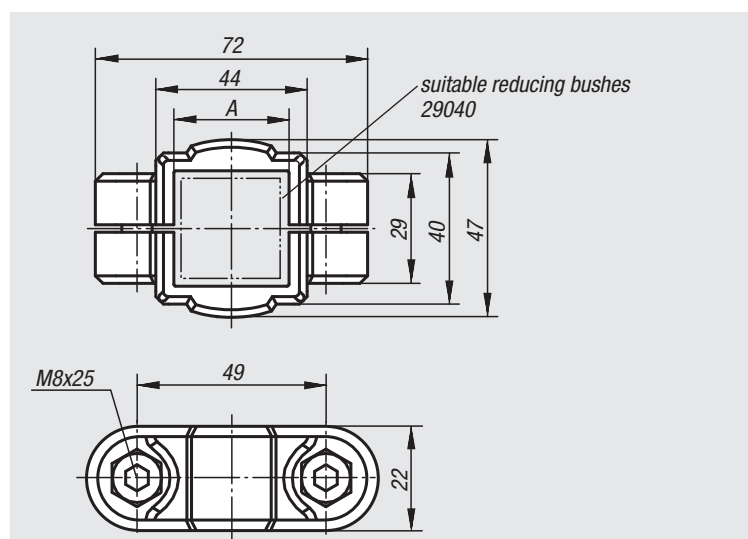
With the flange clamp square tubes 30 mm can be clamped. If smaller tubes are to be clamped or converted from square to round tubes, these can be adjusted to the required fitting by means of reducing bushes 29040.

On request:

Clamp levers in plastic for fixing.

Accessory:

- Reducing bushes 29040
- Round and square tubes 29050



Order No.	A	Approx. weight kg
29020-30	30	0,068