

Joint clamps

without toothing, aluminium


Material, surface finish:

Cast aluminium, vibration ground; socket head screw to DIN 7984 and hexagon nut to DIN 985 in galvanized steel

Sample order:

nIm 29036-518

Note:

Joint clamps can be continuously shifted by 180°.

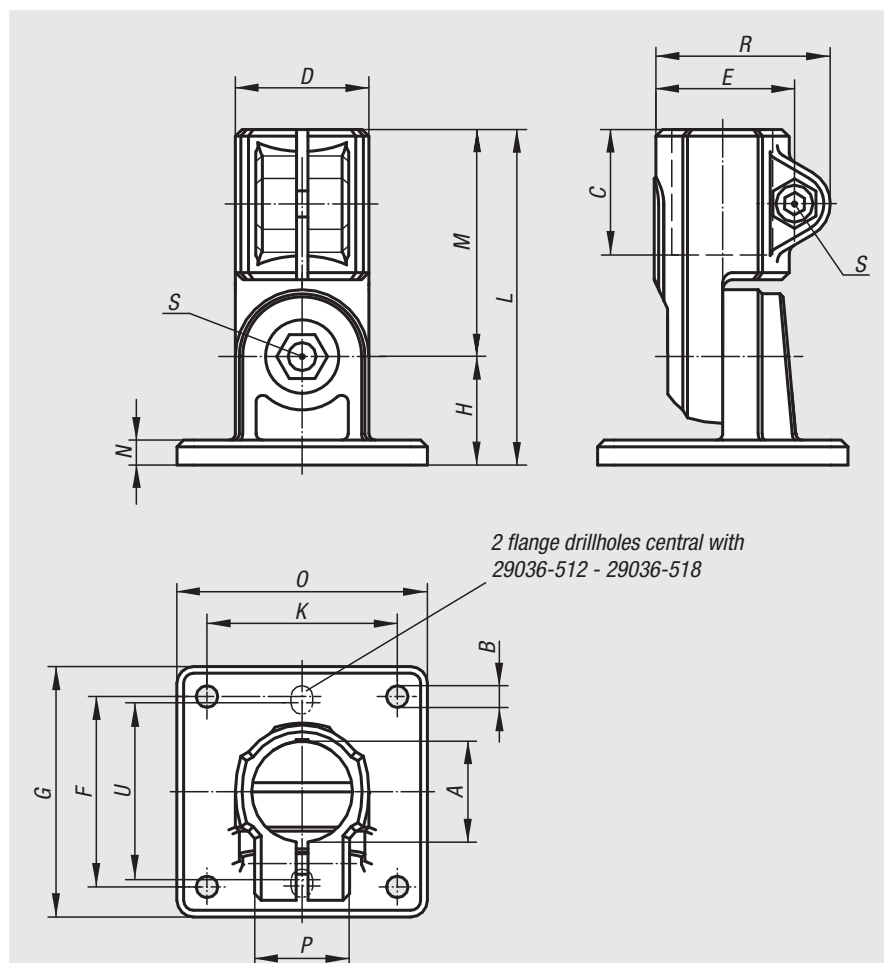
* Oblong hole

On request:

Clamp levers for fixing and further diameters.

Accessory:

- Round and square tubes 29050



Order No.	A	B	C	D	E	F	G	H	K	L	M	N	O	P	R	S	U	Approx. weight kg
29036-512	12,1	5,3* (2x)	25	26	29,4	40	50	20	-	64	44	5	35	21	37,5	M6x16	38	0,101
29036-514	14,1	5,3* (2x)	25	26	29,4	40	50	20	-	64	44	5	35	21	37,5	M6x16	38	0,098
29036-516	16,1	5,3* (2x)	25	26	29,4	40	50	20	-	64	44	5	35	21	37,5	M6x16	38	0,095
29036-518	18,1	5,3* (2x)	25	26	29,4	40	50	20	-	64	44	5	35	21	37,5	M6x16	38	0,091
29036-520	20	6,5 (4x)	45	40	40	57	75	33	57	106	73	7	75	33	51	M8x35	-	0,383
29036-525	25,1	6,5 (4x)	45	40	40	57	75	33	57	106	73	7	75	33	51	M8x35	-	0,374
29036-530	30,1	6,5 (4x)	45	40	40	57	75	33	57	106	73	7	75	33	51	M8x35	-	0,325
29036-540	40,2	8,5 (4x)	60	56	56	76	100	44	76	144	100	10	100	48	68	M10x50	-	0,838