

Linear units



Material, surface finish:

Precision tube according to DIN EN 10305, stainless steel 1.4301. For type E 18, galvanized steel. Trapezoidal thread spindle steel, clockwise thread, rolled.

Sample order:

nIm 29105-300001X500

Note:

Medium rotation speed range, self-locking.
If using a position indicator, only use linear units with ball bearings.

On request:

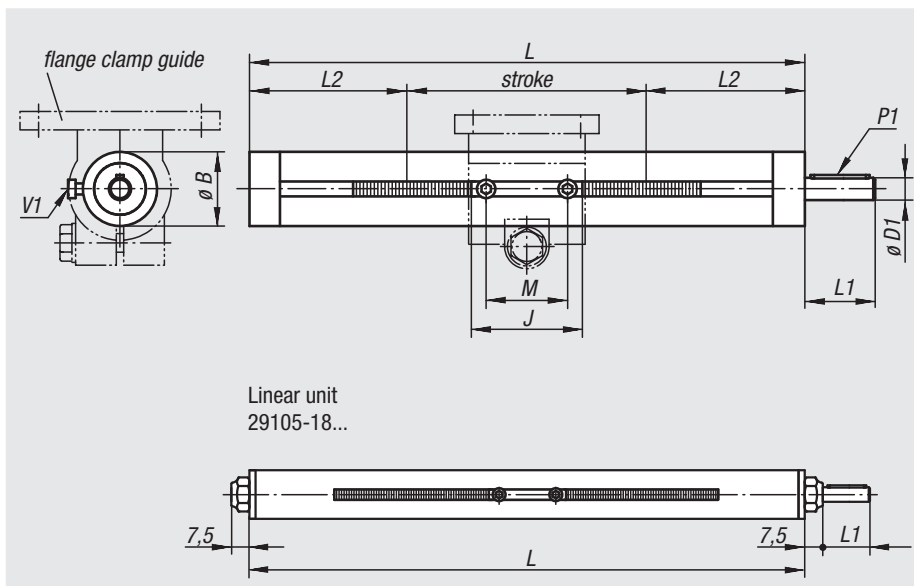
Left-hand thread, stainless steel finish, 2 drive cones, further strokes or handwheels.

Accessory:

- Clamp guides 29120, 29125, 29130, 29135
- Clamping elements of the tubular connection system
- Digital position indicators 21904 with adapter for position indicator 29190 and insert plate 21942

Functional principle:

A rotating movement of the threaded spindle is converted into a linear movement of the guide carriage.



Order No.	Surface finish	Type E	Spindle	L Standard length	Stroke	B	D1	J	L1	L2	M	P1 feather to DIN 6885	V1	Approx. weight kg
29105-300001X300	slide bearing	30	Tr 14x3	300	100	30	8 h8	38	26	100	28	2 x 2 x 20	M4x8	0,800
29105-300001X500	slide bearing	30	Tr 14x3	500	300	30	8 h8	38	26	100	28	2 x 2 x 20	M4x8	1,276
29105-300001X800	slide bearing	30	Tr 14x3	800	600	30	8 h8	38	26	100	28	2 x 2 x 20	M4x8	1,947
29105-400001X300	slide bearing	40	Tr 20x4	300	91	40	12 h8	55	38	104,5	44	4 x 4 x 32	M6x10	1,984
29105-400001X500	slide bearing	40	Tr 20x4	500	291	40	12 h8	55	38	104,5	44	4 x 4 x 32	M6x10	2,920
29105-400001X800	slide bearing	40	Tr 20x4	800	591	40	12 h8	55	38	104,5	44	4 x 4 x 32	M6x10	4,785
29105-400001X1000	slide bearing	40	Tr 20x4	1000	791	40	12 h8	55	38	104,5	44	4 x 4 x 32	M6x10	5,865
29105-500001X500	slide bearing	50	Tr 20x4	500	265	50	12 h8	63	38	117,5	44	4 x 4 x 32	M6x10	4,368
29105-500001X800	slide bearing	50	Tr 20x4	800	565	50	12 h8	63	38	117,5	44	4 x 4 x 32	M6x10	6,288
29105-500001X1000	slide bearing	50	Tr 20x4	1000	765	50	12 h8	63	38	117,5	44	4 x 4 x 32	M6x10	7,568
29105-180101X300	ball bearing	18	Tr 10x2	300	145	18	6 h9	24	17	77,5	18	2 x 2 x 12	M3x5	0,355
29105-180101X500	ball bearing	18	Tr 10x2	500	345	18	6 h9	24	17	77,5	18	2 x 2 x 12	M3x5	0,550
29105-300101X300	ball bearing	30	Tr 14x3	300	100	30	8 h8	38	26	100	28	2 x 2 x 20	M4x8	0,800
29105-300101X500	ball bearing	30	Tr 14x3	500	300	30	8 h8	38	26	100	28	2 x 2 x 20	M4x8	1,276
29105-300101X800	ball bearing	30	Tr 14x3	800	600	30	8 h8	38	26	100	28	2 x 2 x 20	M4x8	1,947
29105-400101X300	ball bearing	40	Tr 20x4	300	91	40	12 h8	55	38	104,5	44	4 x 4 x 32	M6x10	1,984
29105-400101X500	ball bearing	40	Tr 20x4	500	291	40	12 h8	55	38	104,5	44	4 x 4 x 32	M6x10	2,920
29105-400101X800	ball bearing	40	Tr 20x4	800	591	40	12 h8	55	38	104,5	44	4 x 4 x 32	M6x10	4,785
29105-400101X1000	ball bearing	40	Tr 20x4	1000	791	40	12 h8	55	38	104,5	44	4 x 4 x 32	M6x10	5,865
29105-500101X500	ball bearing	50	Tr 20x4	500	265	50	12 h8	63	38	117,5	44	4 x 4 x 32	M6x10	4,368
29105-500101X800	ball bearing	50	Tr 20x4	800	565	50	12 h8	63	38	117,5	44	4 x 4 x 32	M6x10	6,288
29105-500101X1000	ball bearing	50	Tr 20x4	1000	765	50	12 h8	63	38	117,5	44	4 x 4 x 32	M6x10	7,568