

Cross clamp guides


Material, surface finish:

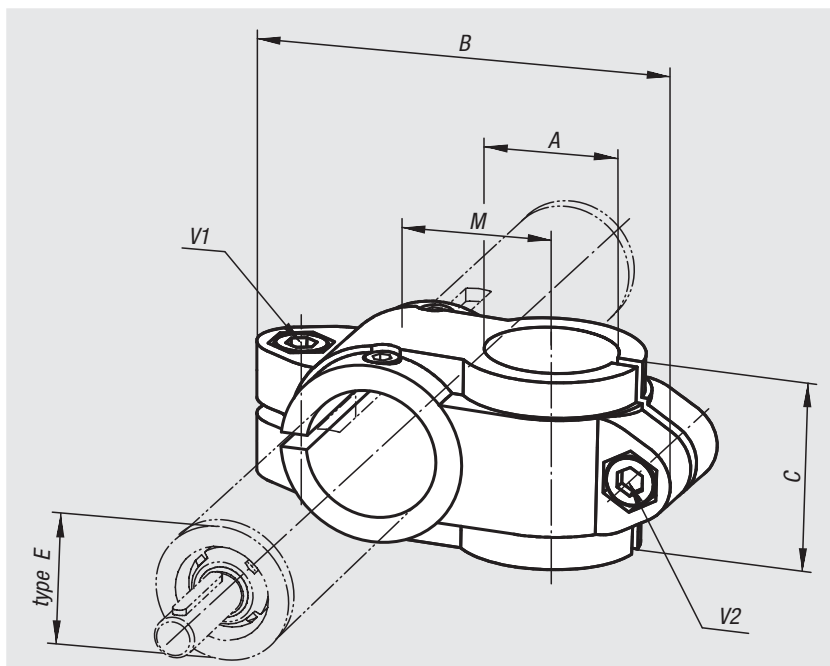
Cast aluminium, black powder-coated; socket head screw to DIN 7984 and hexagon nut to DIN 985 in galvanized steel

Sample order:

nIm 29120-1818

On request:

Clamp levers for fixing.



| Order No. | Type E | A | B | C | M | V1 | V2 |
|------------|--------|----|-----|------|----|--------|--------|
| 29120-1818 | 18 | 18 | 66 | 25,5 | 20 | M6x16 | M6x16 |
| 29120-3020 | 30 | 20 | 99 | 40 | 33 | M8x25 | M8x25 |
| 29120-3030 | 30 | 30 | 99 | 40 | 33 | M8x25 | M8x25 |
| 29120-4020 | 40 | 20 | 109 | 40 | 36 | M10x30 | M8x25 |
| 29120-4040 | 40 | 40 | 137 | 60 | 45 | M10x30 | M10x30 |
| 29120-5040 | 50 | 40 | 154 | 70 | 54 | M10x35 | M10x35 |
| 29120-5050 | 50 | 50 | 154 | 70 | 54 | M10x35 | M10x35 |