

## Cross clamp guides

**Material, surface finish:**

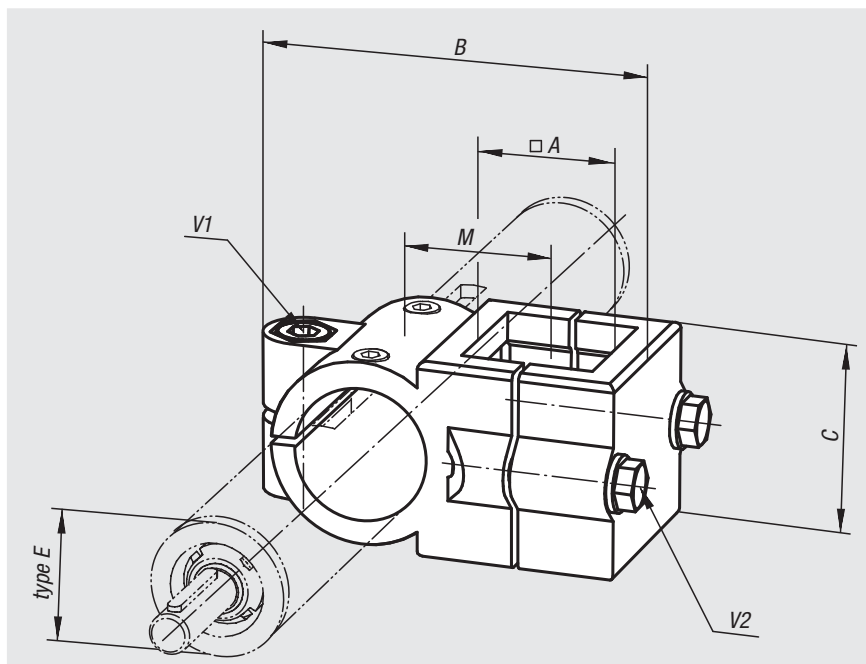
Cast aluminium, black powder-coated;  
clamping screw with nut in galvanized  
steel

**Sample order:**

nIm 29125-4040

**On request:**

Clamp levers for fixing.



Order No.	Type E	A	B	C	M	V1	V2
29125-3030	30	30	86	45	33	M8x35	M8x35
29125-4040	40	40	117	60	47	M10x50	M8x45
29125-5050	50	50	126	86	53	M8x50	M8x50