

Flange clamp guides


Material, surface finish:

Cast aluminium, black powder-coated; socket head screw to DIN 7984 and hexagon nut to DIN 985 in galvanized steel

Sample order:

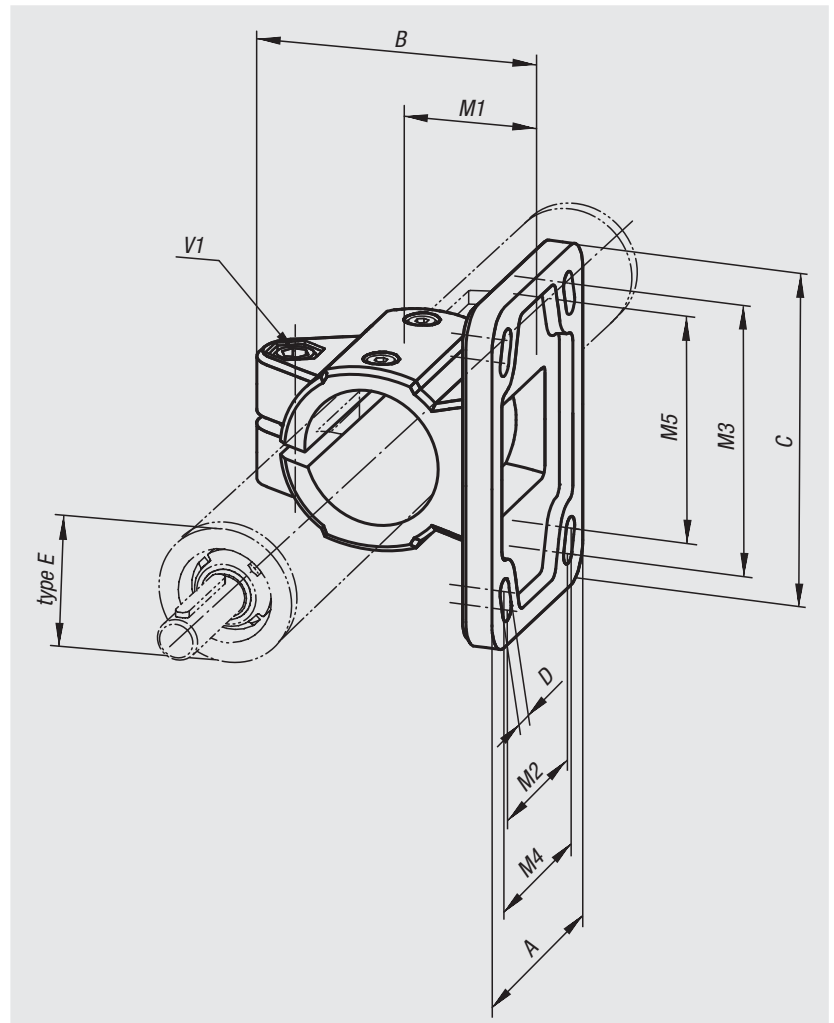
nIm 29130-50

Note:

* Oblong hole.

On request:

Clamp levers for fixing.



Order No.	Type E	A	B	C	D	M1	M2	M3	M4	M5	V1
29130-18	18	37	42,5	50	5,5 (2x)	18	-	40	-	-	M6x16
29130-30	30	55	63	78	6,5* (2x)	30	-	60	-	53	M8x25
29130-40	40	80	87	105	8,5* (4x)	42	52	82	60	80	M10x30
29130-50	50	92	100	130	10,5* (4x)	50	60	100	62	98	M10x35