

Base clamp guides



Material, surface finish:

Cast aluminium, black powder-coated; socket head screw to DIN 7984 and hexagon nut to DIN 985 in galvanized steel

Sample order:

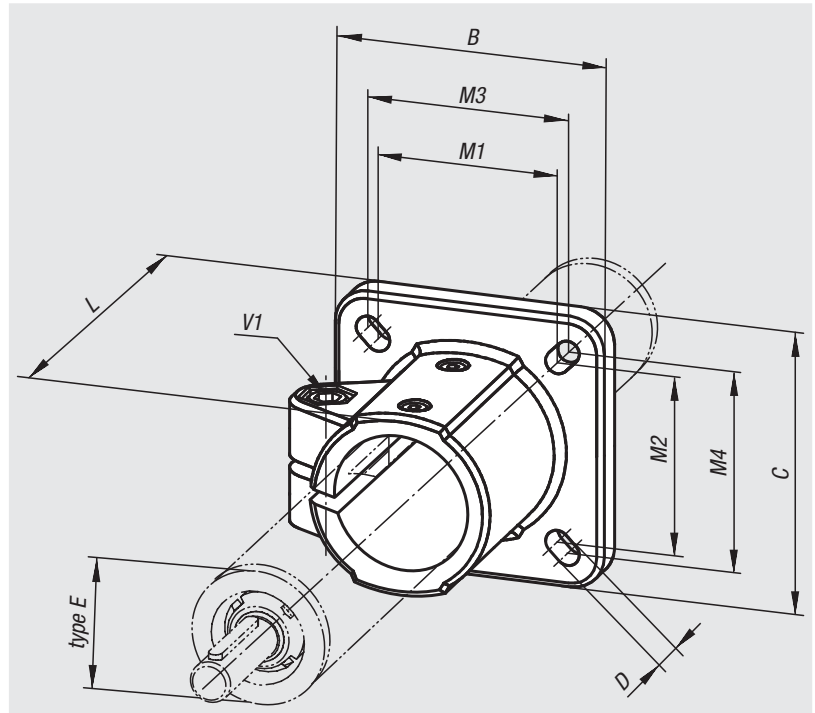
n1m 29135-30

Note:

* Oblong hole.

On request:

Clamp levers for fixing.



| Order No. | Type E | B | C | D | L | M1 | M2 | M3 | M4 | V1 |
|-----------|--------|-----|-----|-------|----|----|----|----|----|--------|
| 29135-18 | 18 | 42 | 42 | 5,8 | 37 | 30 | 30 | - | - | M6x16 |
| 29135-30 | 30 | 60 | 60 | 6,5* | 50 | 40 | 45 | 42 | 42 | M8x25 |
| 29135-40 | 40 | 90 | 90 | 8,5* | 70 | 60 | 60 | 64 | 64 | M10x30 |
| 29135-50 | 50 | 105 | 105 | 10,5* | 85 | 74 | 74 | 80 | 80 | M10x35 |