

# Adjusting units


**Material:**

Aluminium EN AW-6060

**Surface finish:**

Black anodized

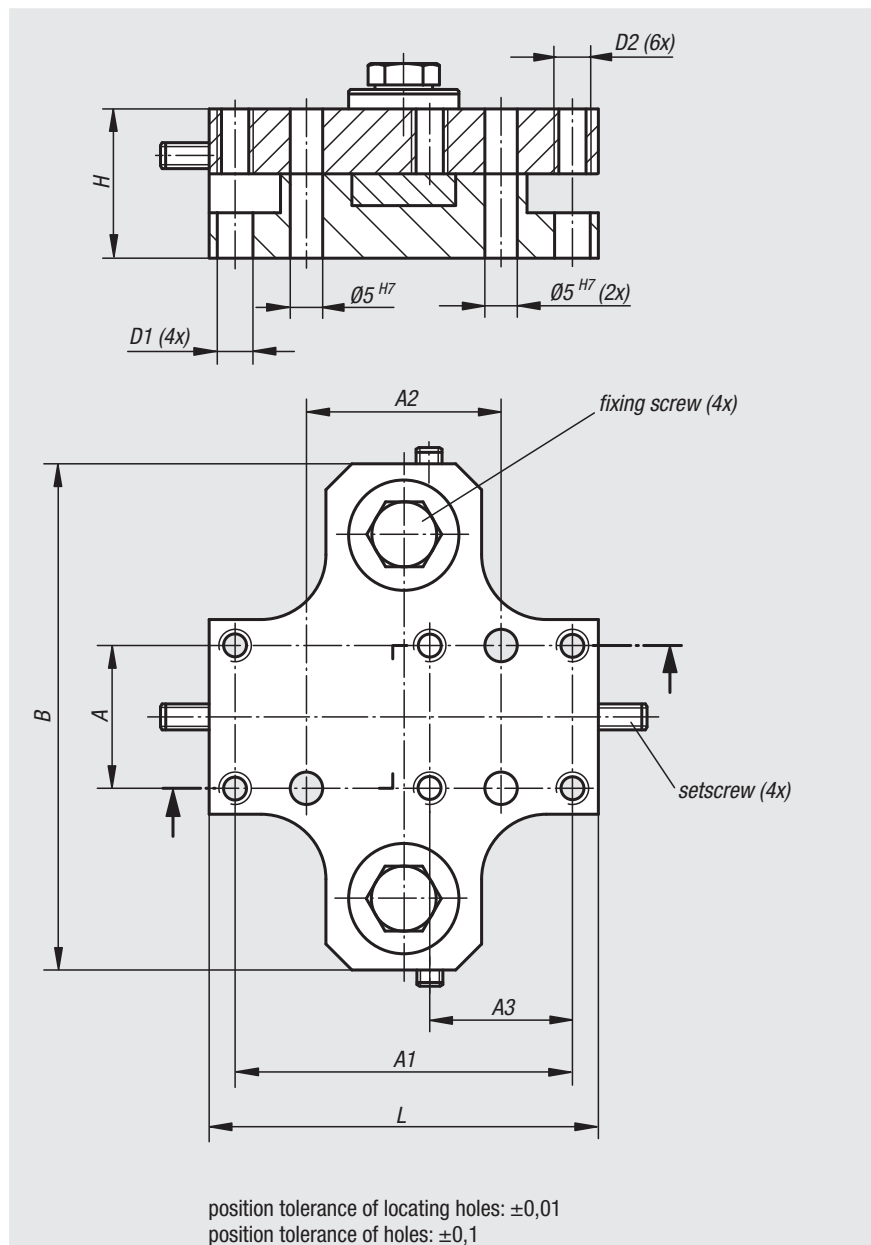
**Sample order:**

nlm 29210-122

**Note:**

Adjusting units for precise adjustment of components in the X-Y range. Assembly tolerances in the mechanical configuration can thus be compensated. Suitable for base, single, and base, double. Owing to a uniform hole pattern for the respective size, the adjusting units can be assembled beneath the base at a later time as well.

 Adjusting range: X:  $\pm 3$  mm

 Adjusting range: Y:  $\pm 3$  mm


Order No.	Size	A	A1	A2	A3	B	D1	D2	H	L	Approx. weight kg
29210-122	12	22	52	30	22	78	5,5	M5	23	60	0,170
29210-202	20	30	70	40	30	88	5,5	M5	23	80	0,455
29210-302	30	40	90	50	40	110	6,5	M6	32	100	0,615
29210-402	40	48	108	60	48	120	8,5	M8	32	120	0,775