

Adjusting rings

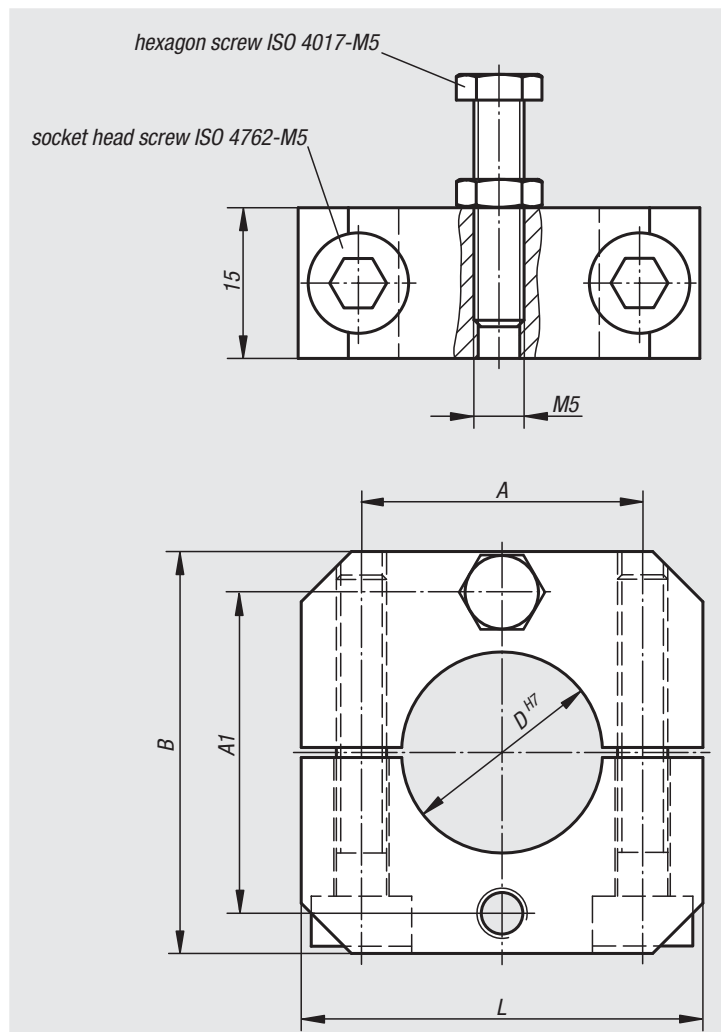


Material:
Aluminium EN AW-6060

Surface finish:
Black anodized

Sample order:
nlm 29215-122

Note:
With the adjusting rings, bases and clamping bases can be installed aloft exactly and thus guarantee position-precise assembly of components.



Order No.	Size	A	A1	B	D	L	Approx. weight kg
29215-122	12	19	22	30	12	30	0,030
29215-202	20	28	32	40	20	40	0,043
29215-302	30	38	42	50	30	50	0,065
29215-402	40	48	52	60	40	60	0,084