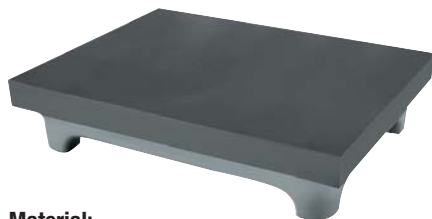


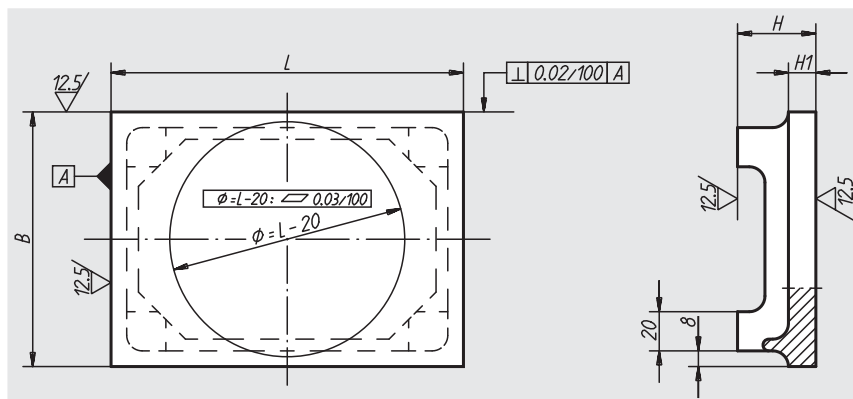
Plane tables



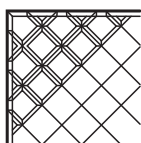
Material:
GJL 300 annealed

Sample order:
nlm 31000-03

Note:
Plate surface with dust grooves on request.



Order No.	L	B	H	H1	Approx. weight kg
31000-01	200	150	45	15	4,690
31000-02	250	200	45	15	7,330
31000-03	300	200	45	15	8,700
31000-04	350	250	45	15	12,000
31000-05	350	300	45	15	14,000
31000-06	400	350	60	20	26,750



Precision plane table

with column

Material:
Black granite (origin rock)

Surface finish:
Plane-Table, precision class 0

Sample order:
nlm 31020-01

Note:
Original rock has major benefits over conventional granite:
- 3 times more wear resistance.
- 20% greater density.
- 3 times less heat expansion.

Suitable holders for dial gauges see 31140 and 31141.



Order No.	length x width x height	Column diameter	Approx. weight kg
31020-01	200 x 150 x 300	25	4,500