

Holders for dial gauges


Material:

Aluminium

Surface finish:

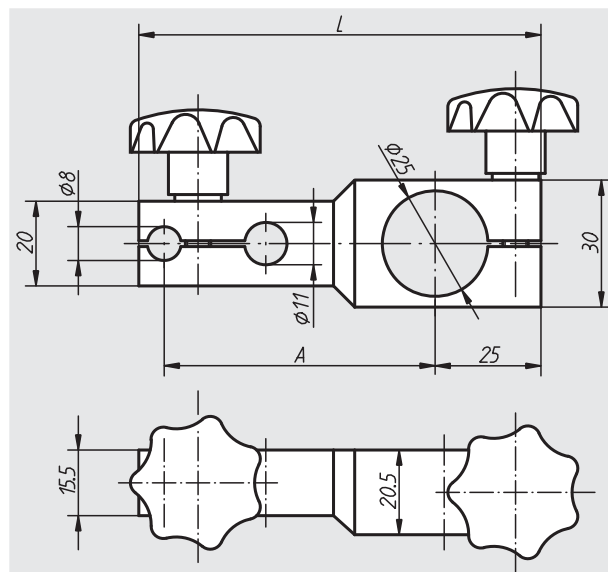
Black anodized

Sample order:

nlm 31140-065

Note:

Holder for dial gauges suitable for 31020.



Order No.	A	L	Approx. weight kg
31140-065	65	95	0,140
31140-100	100	130	0,200

Holder for dial gauges

with fine-adjustment


Material:

Aluminium

Surface finish:

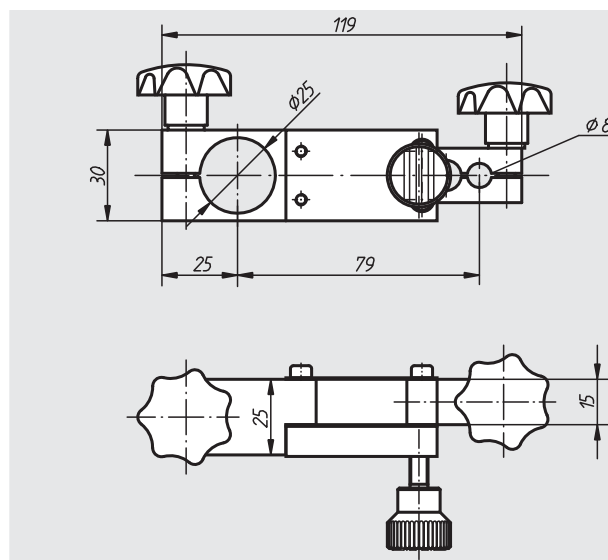
Black anodized

Sample order:

nlm 31141-079

Note:

Holder for dial gauges suitable for 31020.



Order No.	Approx. weight kg
31141-079	0,180