

Measuring columns

with thread

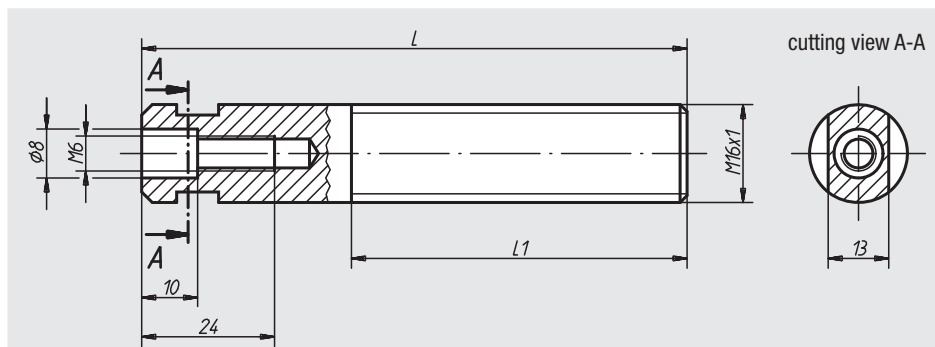


Material:
Tempered steel

Surface finish:
Black oxide finish

Sample order:
nlm 33100-16133

Note:
Measuring columns are used for example as height elements in conjunction with plane-tables 31000 and holder of dial gauges with deflection 33070 up to 33080. Slotted round nuts see 33105.



| Order No. | L | L1 | Approx. weight kg |
|-------------|-----|----|-------------------|
| 33100-16063 | 63 | 63 | 0,080 |
| 33100-16098 | 98 | 60 | 0,135 |
| 33100-16133 | 133 | 60 | 0,190 |
| 33100-16168 | 168 | 60 | 0,245 |

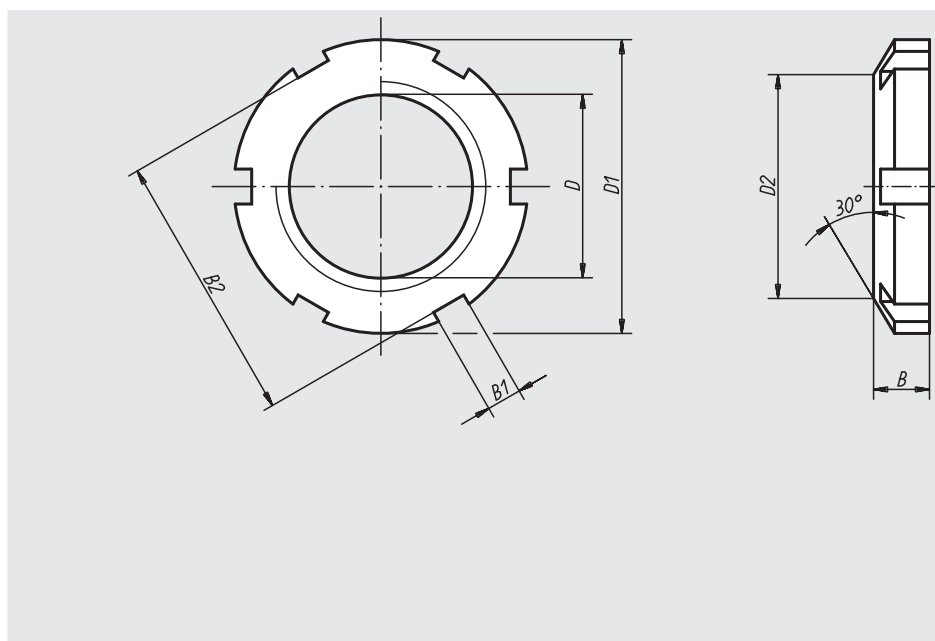
Slotted round nuts



Material:
Tempered steel

Surface finish:
Black oxide finish

Sample order:
nlm 33105-16



| Order No. | D | D1 | D2 | B | B1 | B2 | Number of slots | Approx. weight g |
|-----------|---------|----|----|---|----|----|-----------------|------------------|
| 33105-16 | M16x1 | 26 | 21 | 6 | 4 | 22 | 4 | 13 |
| 33105-36 | M36x1,5 | 52 | 44 | 9 | 6 | 46 | 6 | 65 |